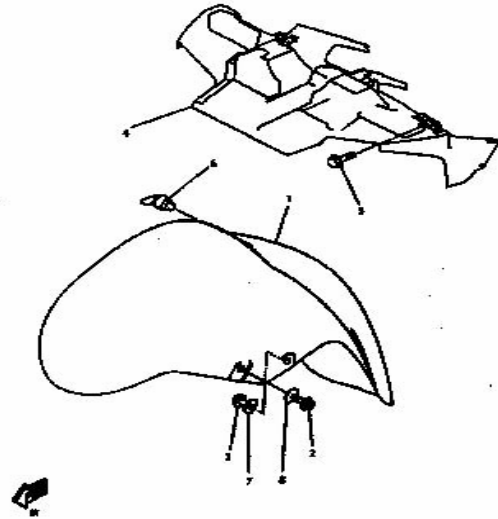


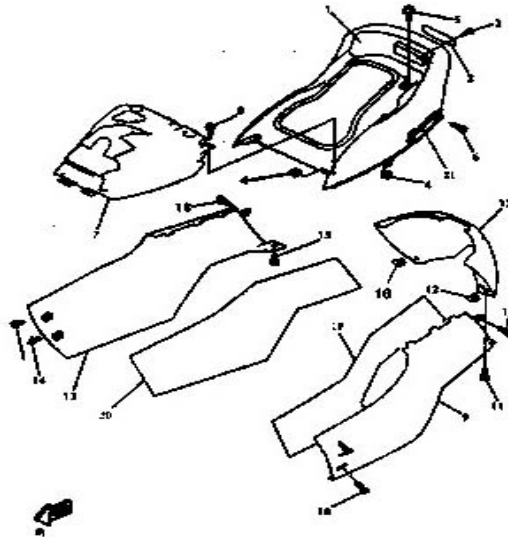
DRAWING INDEX

D-1: FENDER



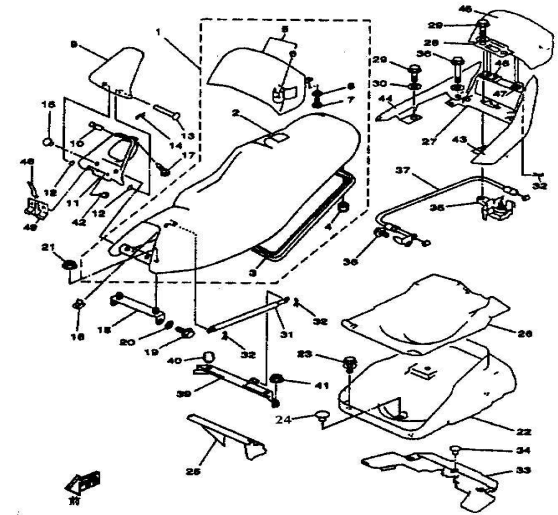
7

D-2: SIDE COVER



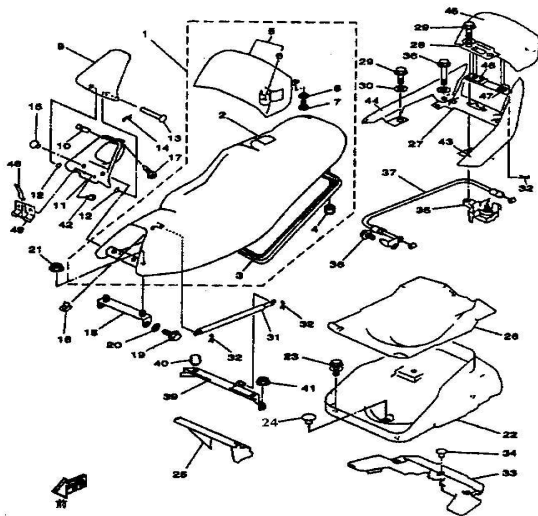
8

D-3: SEAT



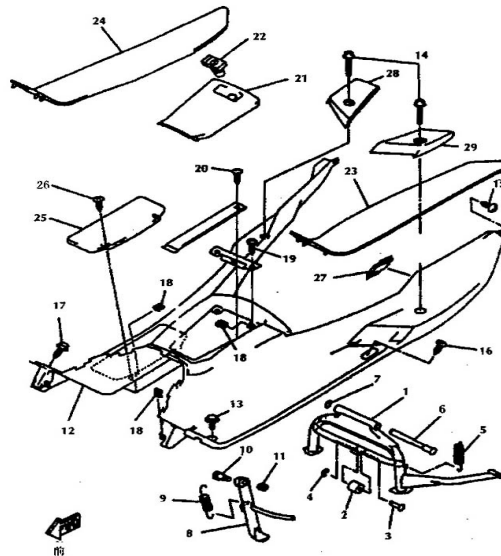
9

D-4: SEAT



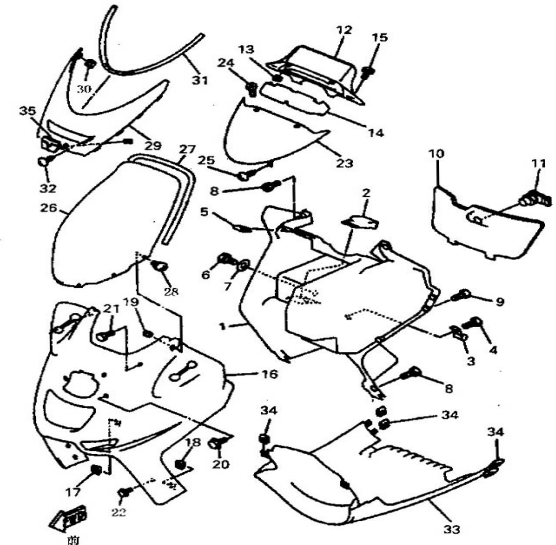
10

D-5: STAND FOOTREST



11

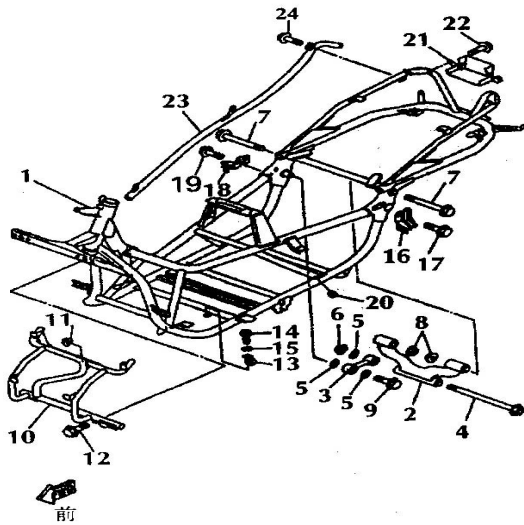
D-6: LEG SHIELD



12

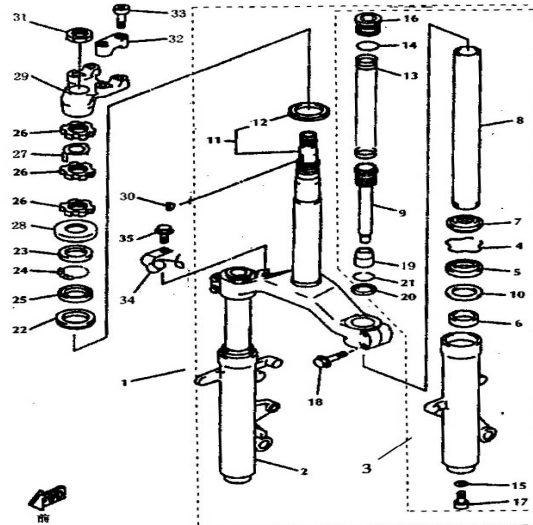
DRAWING INDEX

D-7: FRAME



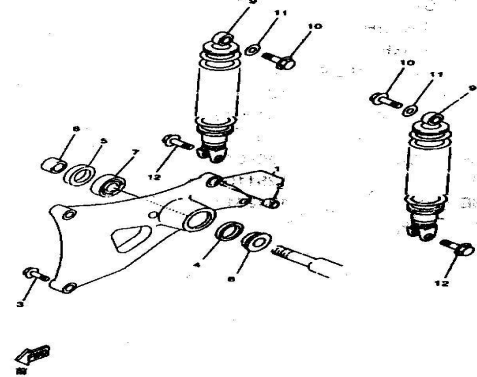
13

D-8: STEERING



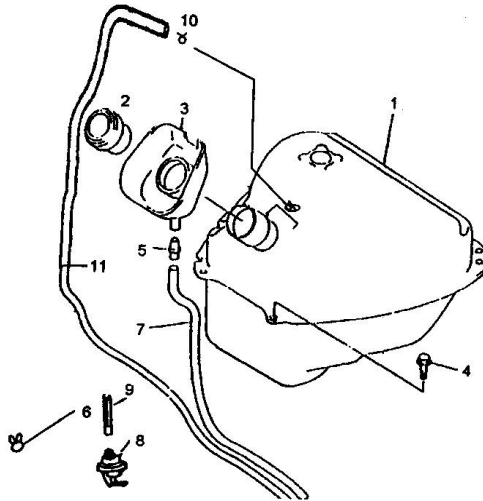
14

D-9: REAR ARN SUSPENSION



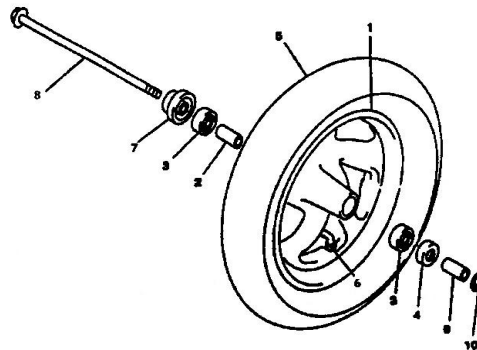
15

D-10: FUEL TANK



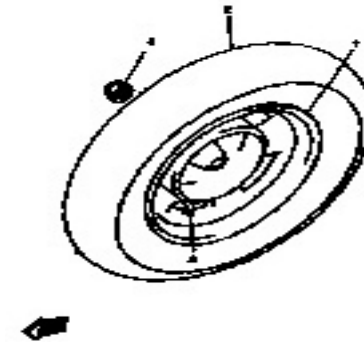
16

D-11: FRONT WHEEL



17

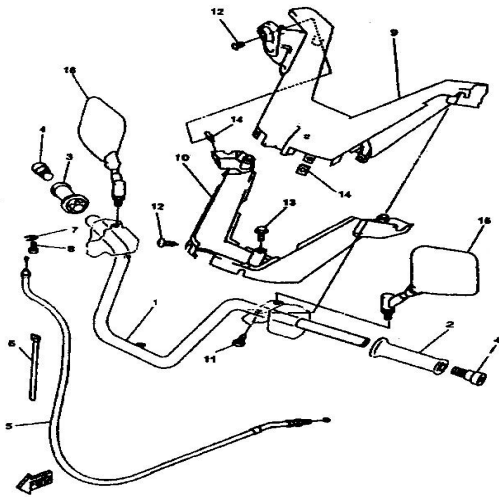
D-12: REAR WHEEL



18

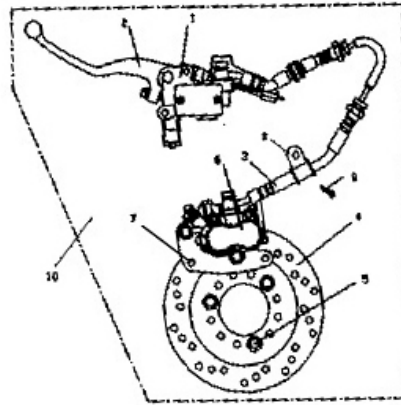
DRAWING INDEX

D-13: STEERING HANDLE CABLE



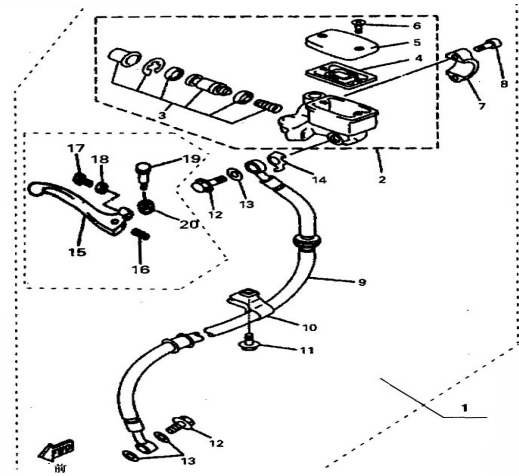
19

D-14: REAR HYDRAULIC ASSY



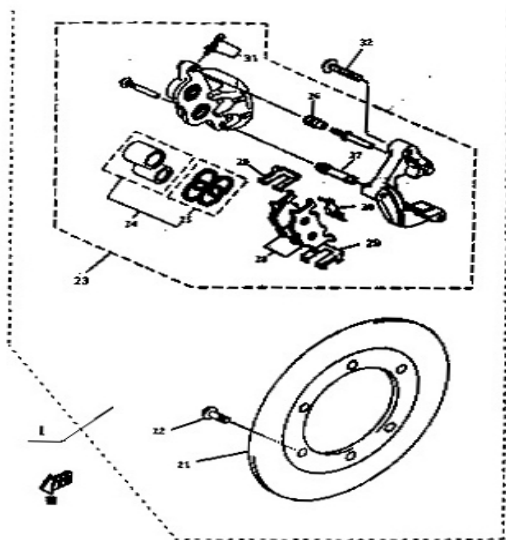
20

D-15: HYDRAULIC BRAKE ASSY



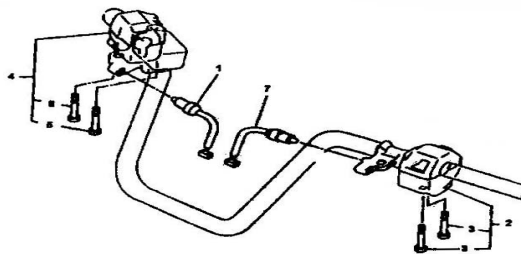
21

D-16: HYDRAULIC BRAKE ASSY



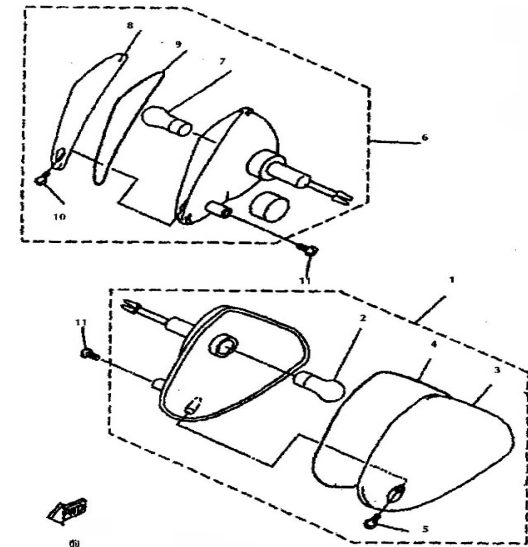
22

D-17: HANDLE SWITCH LEVER



23

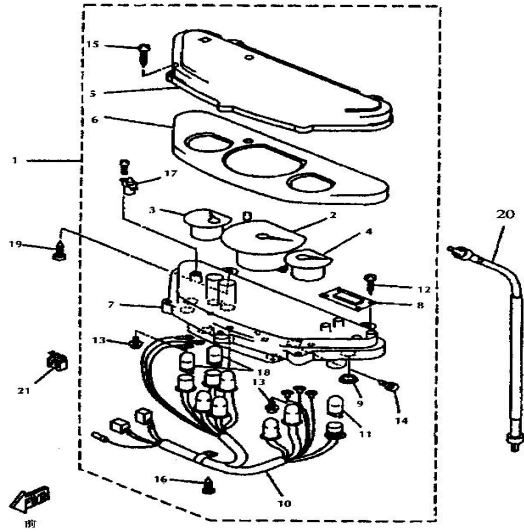
D-18: FLASHER LIGHT



24

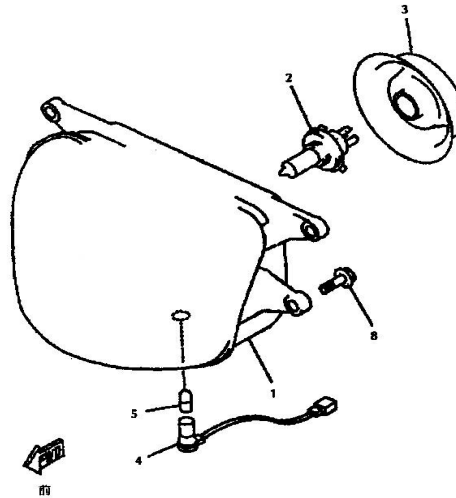
DRAWING INDEX

D-19: METER



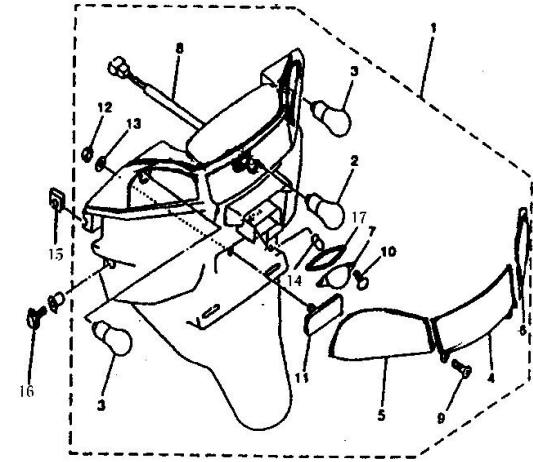
25

D-20: HEADLIGHT



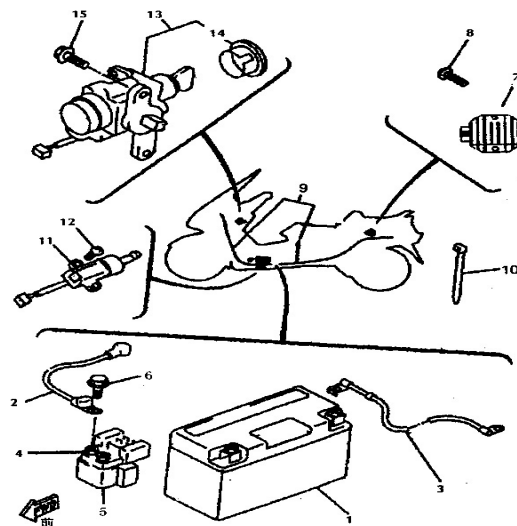
26

D-21: TAILLIGHT



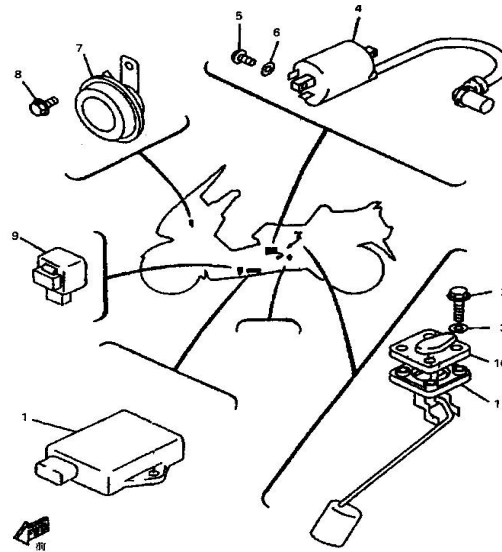
27

D-22: ELECTRICAL 1



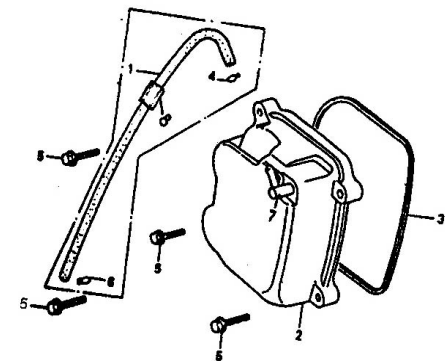
28

D-23: ELECTRICAL 2



29

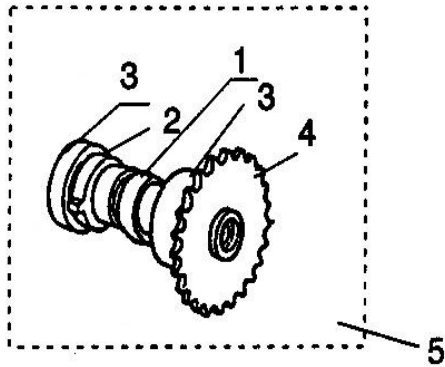
D-24: COVER COMP CYLINDER HEAD 1



30

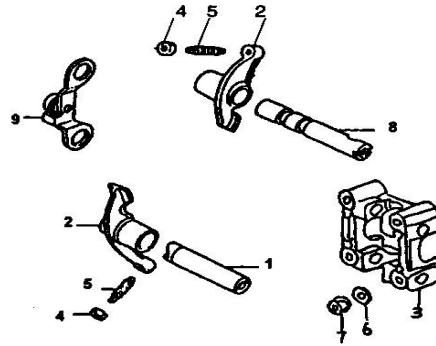
DRAWING INDEX

D-25: CAMSHAFT COMP



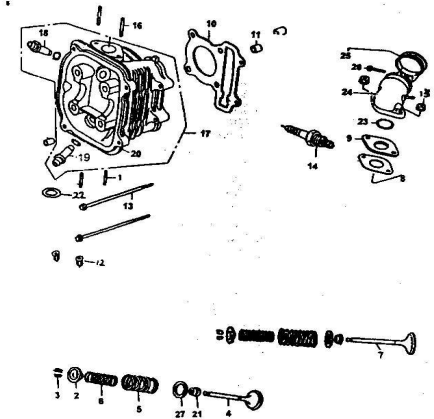
31

D-26: HOLDER CAMSHAFT COMP



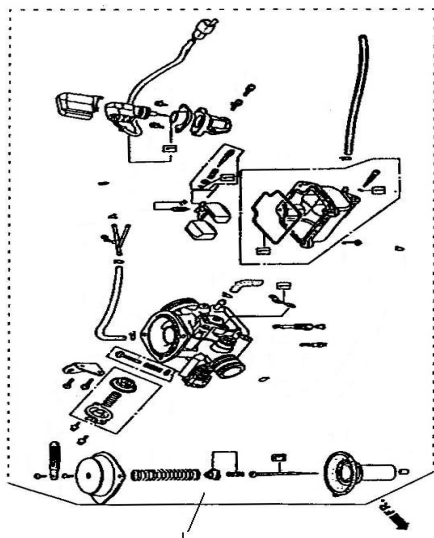
32

D-27: CYLINDER HEAD COMP



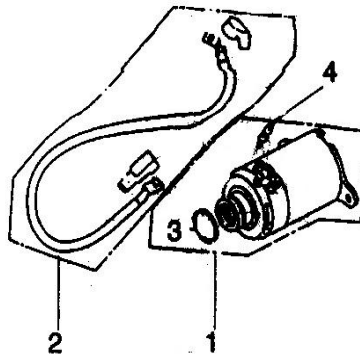
33

D-28: CARBURETOR



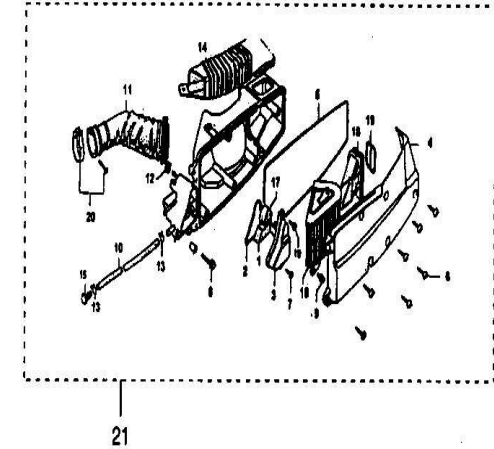
34

D-29: STARTING MOTOR



35

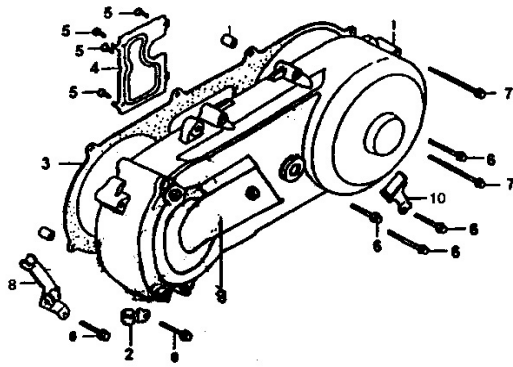
D-30: AIR CLEANER



36

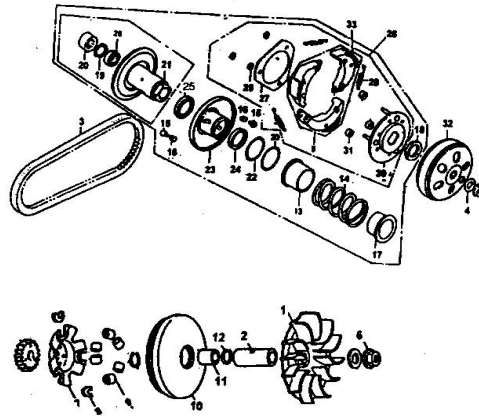
DRAWING INDEX

D-31: LEFT CRANKCASE COVER



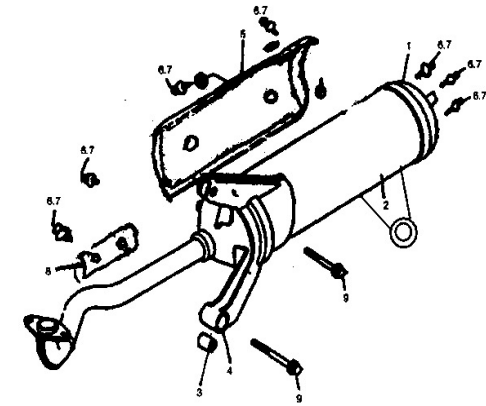
37

D-32: DRIVE PULLEY

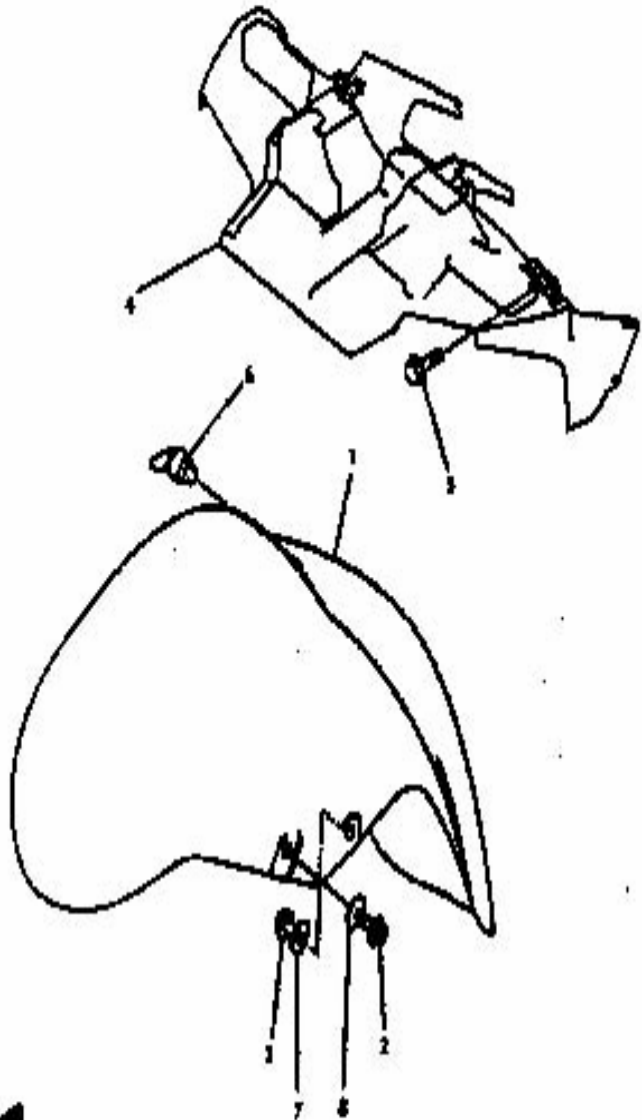


38

D-33: EXHAUST MUFFLER

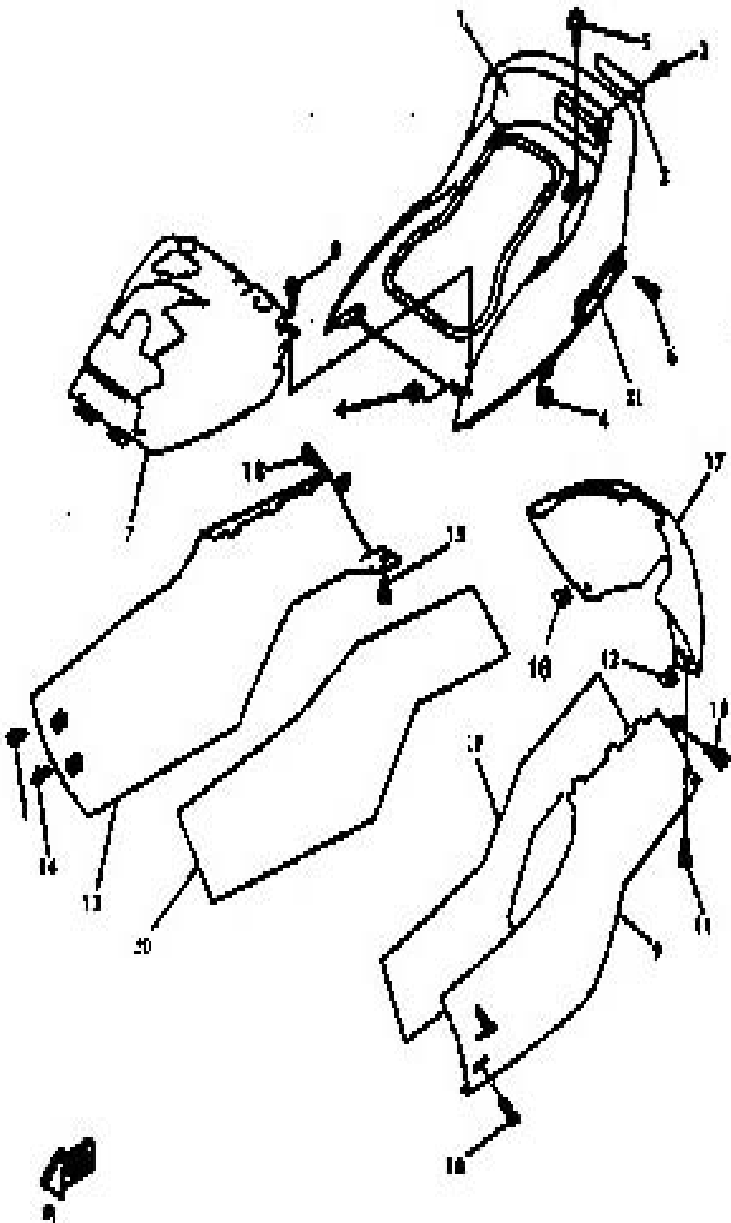


39



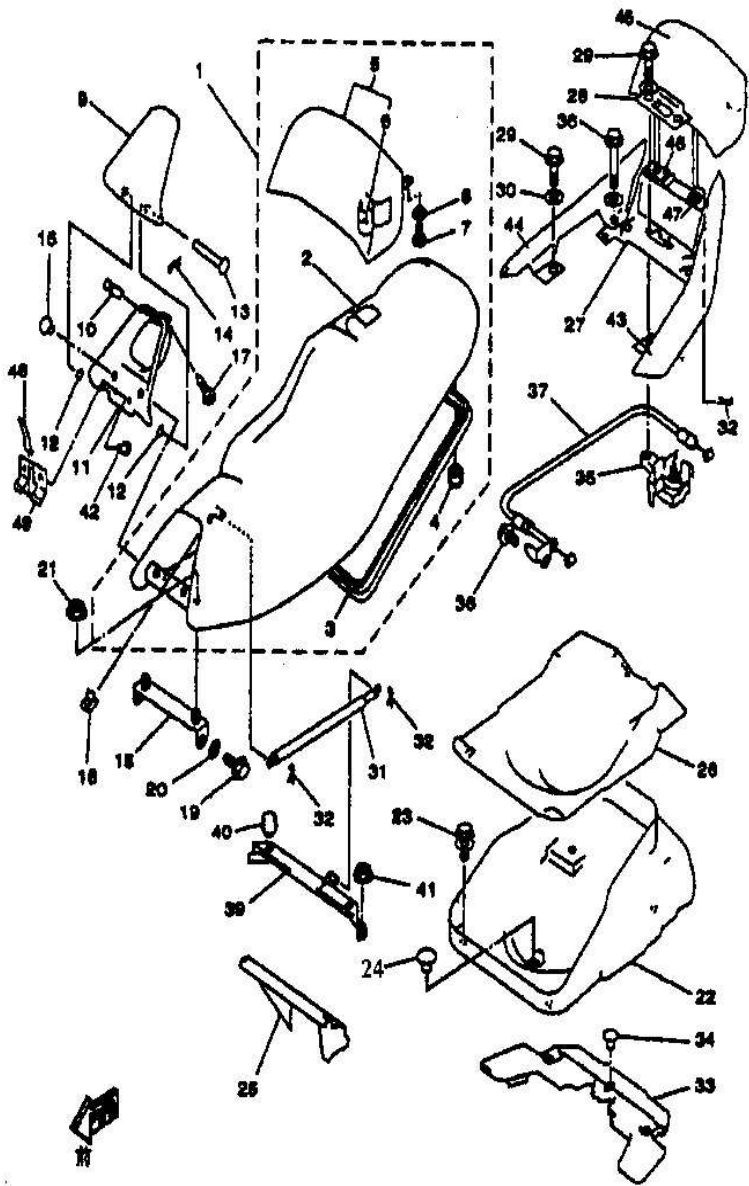
Item	Description	Part Number	Q.ty	Note
1	FENDER.FRONT	1301216	1	
2	SCREW.BINDING	1301217	2	
3	BOLT	10183	2	
4	FENDER.INNER	1301083	1	
5	BOLT	1301218	3	
6	HOLDER.CABLE	1301215	1	
7	WASHER PLATE	10011	2	
8	WASHER WAVE	1301115	2	

D-2: SIDE COVER

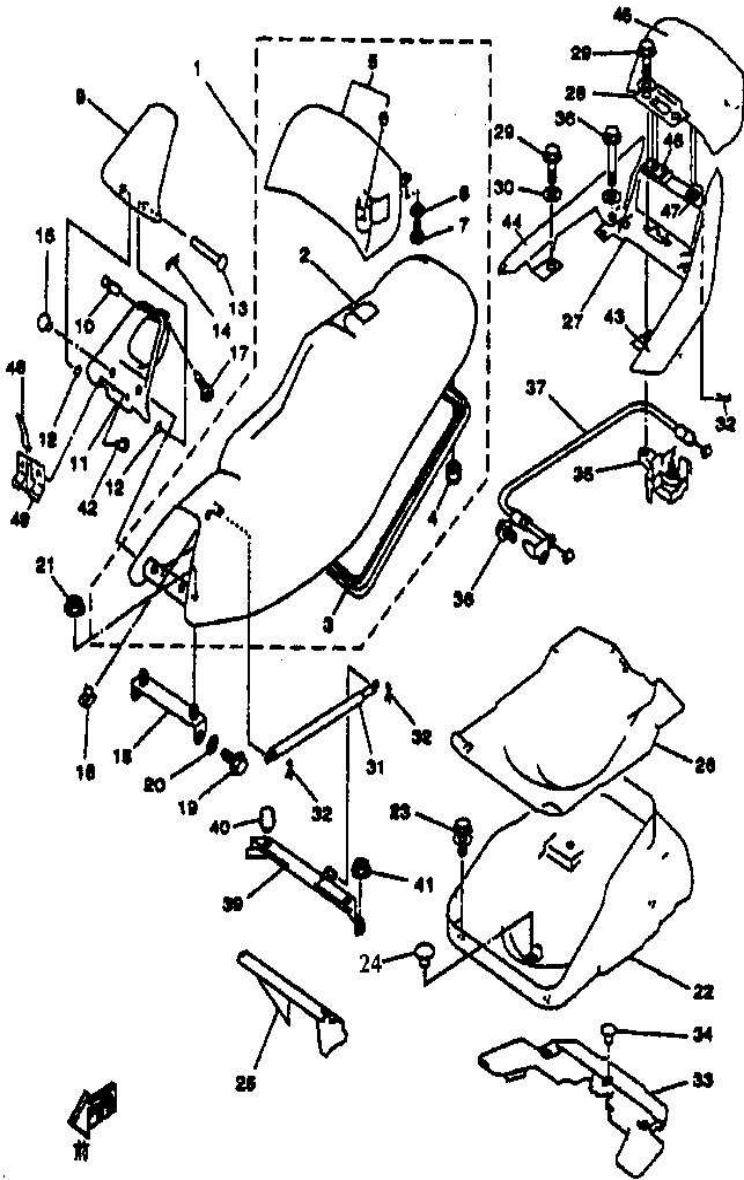


Item	Description	Part Number	Q.ty	Note
1	SOLID COVER	1301164	1	
2	LED	1309001	1	
3	SCREW.TAPPING	10404	2	
4	NUT.SPRING	1301184	4	
5	BOLT.WITH WASHER	10110	2	
6	SCREW.TAPPING	4080021	2	
7	COVER.SIDE 2	1301170	1	
8	SCREW.TAPPING	4080021	2	
9	MOLE.SODE COVER 1	1301136	1	
10	SCREW.TAPPING	4080021	2	
11	SCREW.TAPPING	4080021	1	
12	NUT.SPRING	1301184	1	
13	MOLE.SIDE COVER 2	1301137	1	
14	SCREW.TAPPING	4080021	2	
15	SCREW.TAPPING	4080021	1	
16	NUT.SPRING	1301184	1	
17	MOLE.SIDE COVER 3	1301173	1	
18	SCREW.TAPPING	4080021	2	
19	DAMPER.LOCATING 1	1301128	1	
20	DAMPER.LOCATING 2	1301129	1	

D-3: SEAT

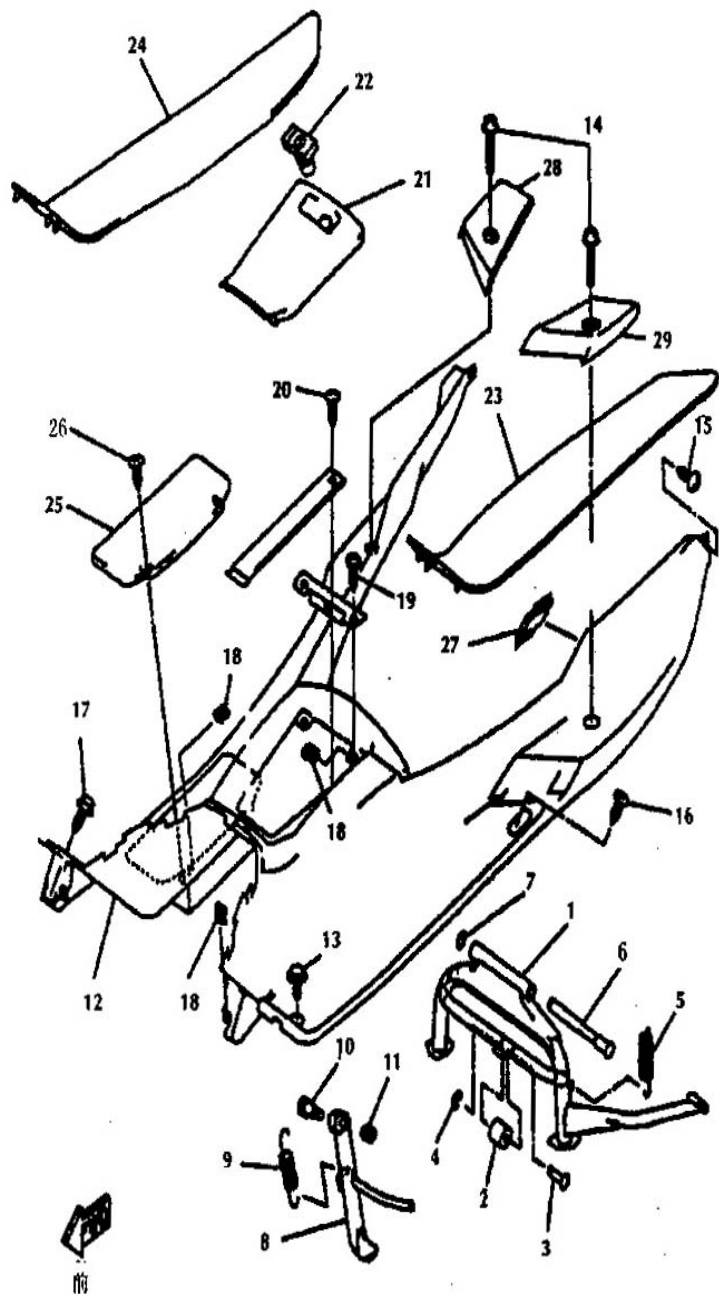


Item	Description	Part Number	Q.ty	Note
1	DOUBLE SEAT ASSY	1301174	1	
2	COVER.SEAT	1309002	1	
3	SEAL	1309003	1	
4	PAD SEAT	1301112	2	
5	SEAT BACK ASSY	1309004	1	
6	SEAT COVER ASSY	1309005	1	
7	BOLT HEXAGON SOCKET HEAD	1309006	2	
8	COLLAR	1309007	2	
9	LID 1	1301141	1	
10	PLATE.LOCK 3	1301143		
11	COVER.SEAT COMP	1301140	1	
12	O-RING	10396	2	
13	PIN.CLEVIS	1301142	1	
14	CLIP	1301144	1	
15	RIVET	1301101	2	
16	NUT.SPRING	1301184	1	
17	SCREW.TAPPING	4080021	1	
18	HINGE 1	1301113	1	
19	BILT	1301114	2	
20	WASHER.WAVE	1301115	2	
21	NUT.FLANGE	10079	2	
22	BOX 1	1301116	1	
23	BOLT.WITH WASHER	1301118	4	
24	PLUG	1301117	1	
25	COVER	1301099	1	
26	DAMPER.SEAT	1301168	1	
27	HANDLE.SEAT	1301244	1	
28	PROTECTOR. 1	1301166	1	
29	BOLT.FLANGE	10182	4	
30	WASHER.PLAT	10011	4	
31	STOPPER	1301176	1	
32	CLIP	1301177	2	
33	GUARD.MUD	1301098	1	
34	RIVET	1301101	3	
35	SEAT LOCK ASSY	1309008	1	
36	BOLT.FLANGE	10177	1	
37	CABLE.SEAT LOCK	1301091	1	
38	SCREW.PAN LOCK	10305	1	
39	BRACKET.SEAT	1301111	1	



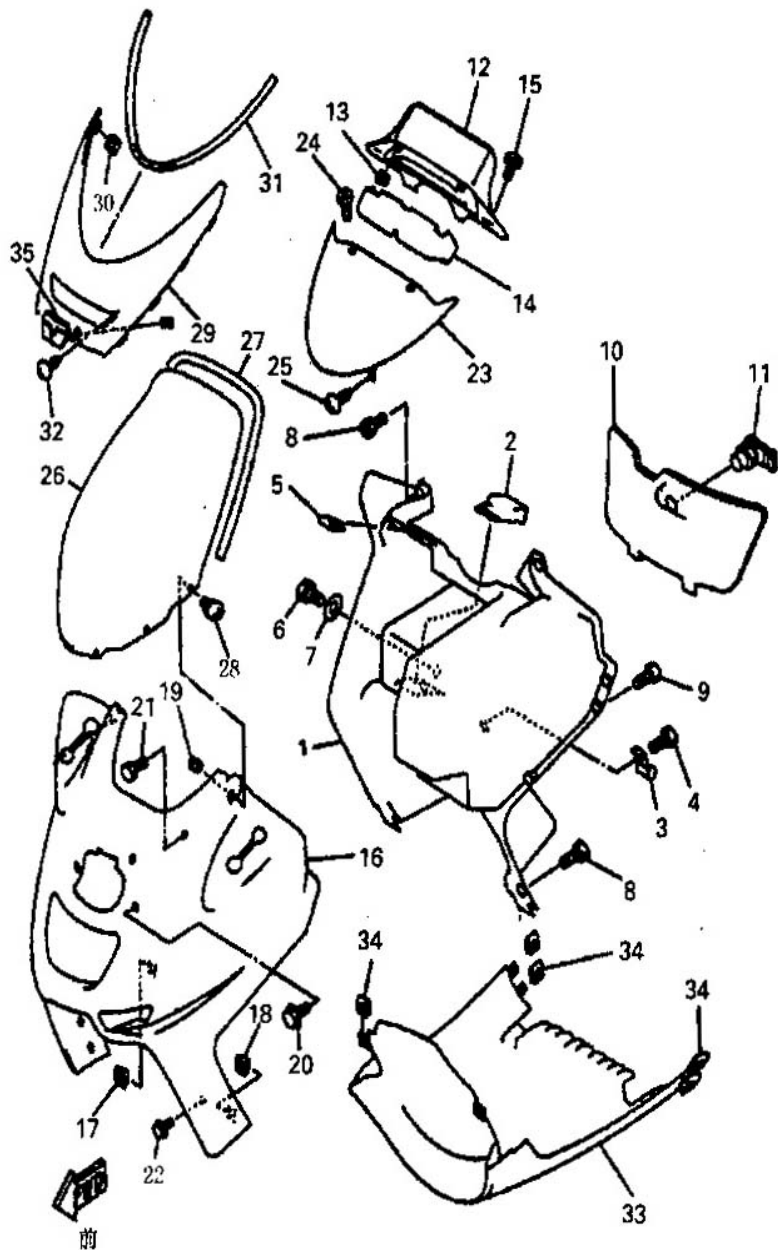
Item	Description	Part Number	Q.ty	Note
40	PAD.SEAT	1301112	2	
41	NUT.FLANGE	10004	4	
42	SCREW PAN HEAD	10305	2	
43	ARMGUARD(L)	1332003	1	
44	ARMGUARD(R)	1332004	1	
45	SEAT BACK ASSY	1301253/1301254	1	
46	SEAT BACK LOCK	1301181	1	
47	PAD.	1309009	1	
48	WRING SPRING	1301186	1	
49	HOLDING SEAT	1301188	1	

D-5: STAND FOOTREST

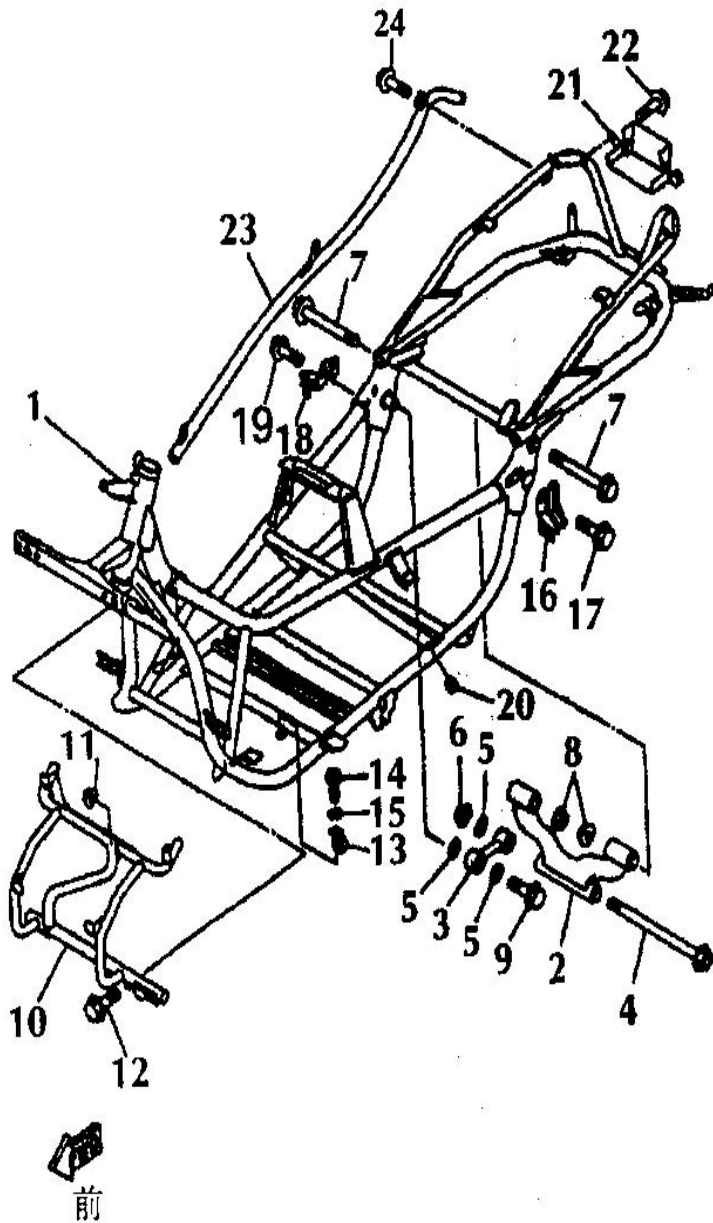


Item	Description	Part Number	Q.ty	Note
1	STAND.MAIN	1301001	1	
2	STOPPER.MAIN STAND	1301002	1	
3	SHAFT.MAIN STAND	1301003	1	
4	CIRCLIP	1309010	1	
5	SPRING.TENSION	1301016	1	
	SPRING 1 TENSION	1342060	1	
6	SHAFT.MAIN STAND	1301019	1	
7	CIRCLIP	1309011	1	
8	STAND.SIDE	1301017	1	
9	SPRING TENSION	1301018	1	
	SPRING 2 TENSION	1332018	1	
10	BOLT	1301024	1	
11	NUT.SELF-LOCKING	10209	1	
12	BOARD.FOOTREST	1301158	1	
13	BOLT.WITH WASHER	1309146	2	
14	BOLT	10127	2	
15	SCREW.TAPRING	4080021	2	
16	SCREW.TAPRING	4080021	4	
17	SCREW.TAPRING	4080021	2	
18	NUT.SPRING	1301184	8	
19	SCREW.TAPRING	4080021	2	
20	SCREW.TAPRING	4080021	1	
21	COVER 1	1301171	1	
22	LOCK ASSY 2	1301145	1	
23	MAT 1	1301212	1	
24	MAT 2	1301213	1	
25	COVER 2	1301169	1	
26	SCREW.TAPRING	4080021	2	
27	CAP 1	1301162	1	
28	COVER.REAR FOOTREST	1301161	1	
29	COVER.REAR FOOTREST	1301161	1	

D-6: LEG SHIELD

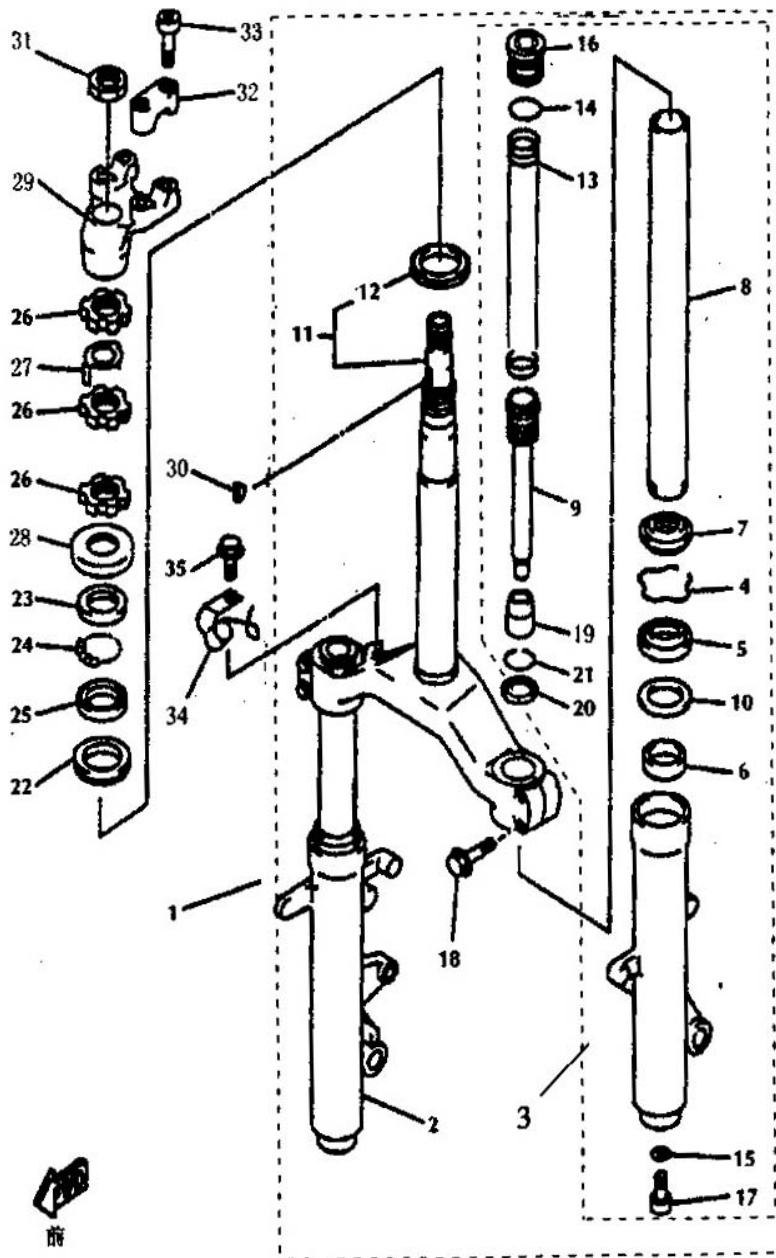


Item	Description	Part Number	Q.ty	Note
1	LEG SHIELD ASSY	1301125	1	
2	COVER	1301127	1	
3	HINGE	1301172	2	
4	SCREW.TAPPING	10205	2	
5	NUT.SPRING	1301184	2	
6	BOLT	10183	1	
7	WASHER.PLATE	4020002	1	
8	SCREW.TAPRING	4080021	4	
9	SCREW.TAPRING	4080021	6	
10	LID ASSY	1301139	1	
11	LOCK ASSY 2	1309012	1	
12	PANEL.INNER 1	1301147	1	
13	NUT.SPRING	1301184	2	
14	DAMPER.LOCATING 1	1301133	1	
15	SCREW.TAPRING	4080021	2	
16	BODY.COWLING	1301150	1	
17	NUT 1	1301184	4	
18	NUT.SPRING	1301184	6	
19	NUT	1301153	6	
20	BOLT.WITH WASHER	10110	2	
21	BOLT	1301081	2	
22	SCREW.TAPRING	4080021	4	
23	PANEL.INNER 2	1301180	1	
24	SCREW.TAPRING	4080021	2	
25	SCREW.TAPRING	4080021	2	
26	SCREEN	1301207	1	
27	TRIM	1301155	1	
28	SCREW.ROUND HEAD	1301217	6	
29	MOLE 1	1301157	1	
30	NUT.SPRING	1301184	2	
31	MOLE 3	1301155	1	
32	SCREW.TAPPING	4080021	4	
33	COVER.LOWER	1301163	1	
34	NUT.SPRING	1301184	6	
35	EMBLEM	1301189	1	



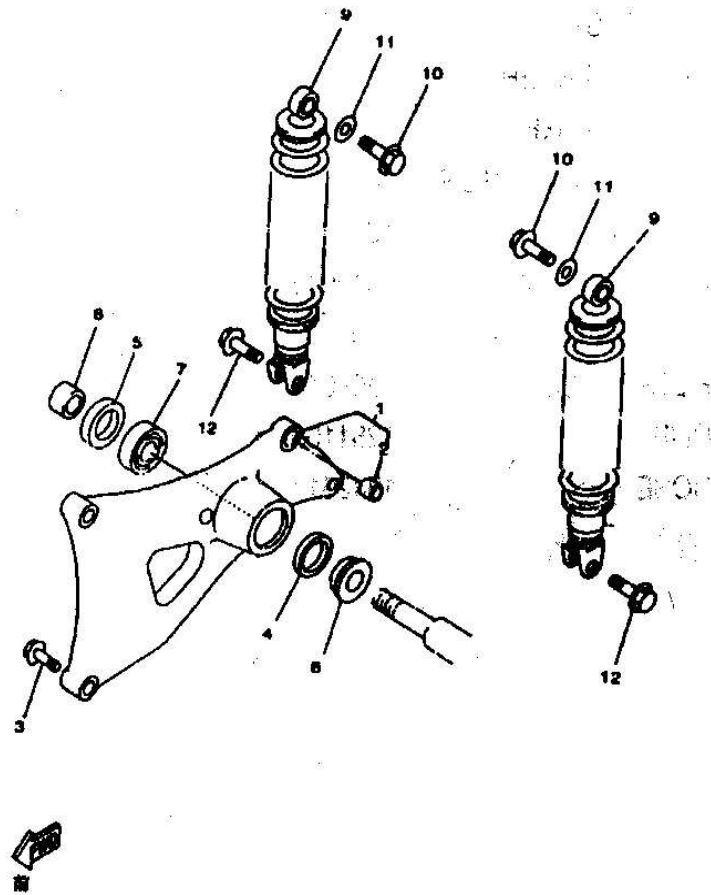
Item	Description	Part Number	Q.ty	Note
1	FRAME COMP.	1301015	1	
2	ENGINE BRACKET COMP.2	1301036	1	
3	STAY.ENGINE	1301038	1	
4	BOLT.WASHER BASED	1301062	1	
5	WASHER.PLATE	1301068	3	
6	NUT.SELF-LOCKING	10015	1	
7	BOLT.FLANGE	1301063	2	
8	NUT.SELF-LOCKING	10306	2	
9	BOLT.FLANGE	10407	1	
10	STAY 1	1301080	1	
11	NUT.FLANGE	10079	1	
12	BOLT.FLANGE	10168	2	
13	GUIDE.CABLE	1309013	2	
14	SCREW.PAN HEAD	10226	2	
15	WASHER.PLATE	10207	2	
16	BRACKET.FOOTREST 1	1301084	1	
17	BOLT.FLANGE	10140	2	
18	BRACKET.FOOTREST 2	1301085	1	
19	BOLT.FLANGE	10140	2	
20	STOPPER	1301155	1	
21	PROTECTOR. 2	1301057	1	
22	BOLT.FLANGE	10110	2	
23	PROTECTOR	1301090	1	
24	BOLT.FLANGE	101110	3	

D-8: STEERING



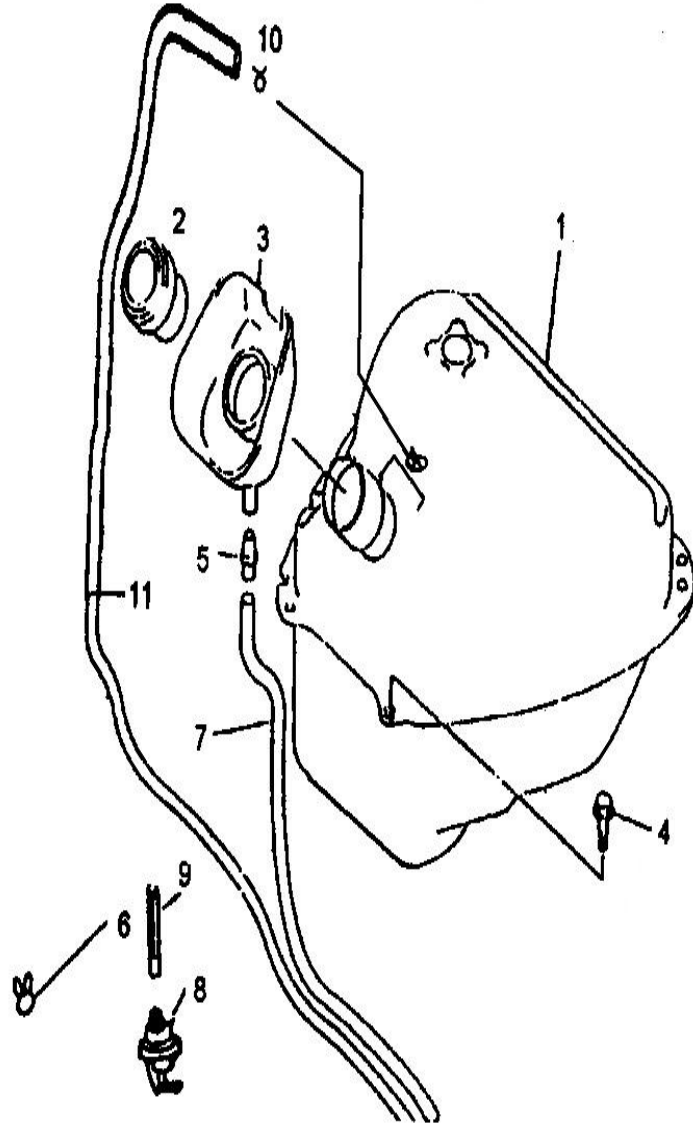
Item	Description	Part Number	Q.ty	Note
1	FRONT FORK ASSY	1309014	1	
2	.TUBE.OUTER (RIGHT)	1301021	1	
3	.TUBE.OUTER(LEFT)	1301020	1	
4	.RING.SNAP	1309015	2	
5	.OIL SEAT	1309016	2	
6	.METAL.SLIDE 1	1309017	2	
7	.SEL.DUST	1309018	2	
8	.INNER TUBE COMP. 1	1309019	2	
9	.CYLINDER COMP.FRONT FORK	1309020	2	
10	.SPINDLE.TAPER	1309021	2	
11	.UNDER BRACKET COMP.	1301022	1	
12	.SEAL STEERING	1309022	1	
13	.SPRING.FRONT FORK	1309023	2	
14	.O-RING	1309024	2	
15	.GASKET	1309025	2	
16	.BOLT.CAP	1309026	2	
17	.BOLT.HEXAGON SOCKET HEAD	1309027	2	
18	.BOLT.FLANGE	10218	4	
19	.WASHER.OIL SEAL	1309028	2	
20	.CAP.AIR VALVE	1309029	2	
21	.RING.SNAP	1309030	2	
22	TAPER ROLLER BEARING	10145	1	
23	RACE.BALL 1	1309032	1	
24	BALL	1301009	22	
25	RACE.BALL 2	1309034	1	
26	NUT	1301010	3	
27	WASHER.SPECIAL	10251	1	
28	COVER.BALL RACE 2	1309036	1	
29	HOLDER.HANDLE LOWER	1309037	1	
30	KEY.WOODRUFF	10174	1	
31	NUT	1309038	1	
32	HOLDER.HANDLE UPPER	1301056	1	
33	BOLT.SOCKET HEAD	10114	2	
34	HOLDER.BRAKE HOSE 1	1301023	4	
35	BOLT.FLANGE	10140	1	

D-9: REAR ARM SUSPENSION



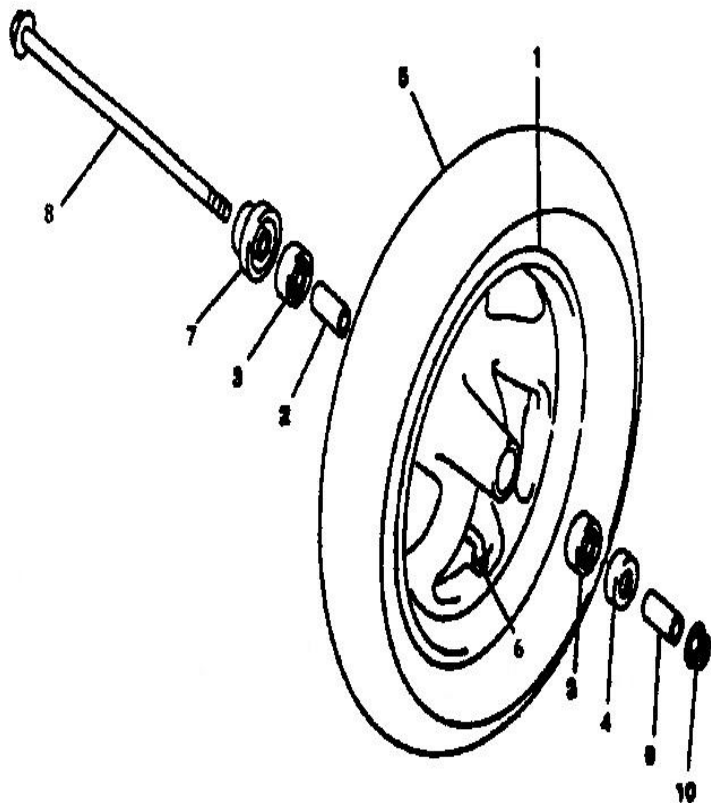
Item	Description	Part Number	Q.ty	Note
1	REAR ARM ASSY	1351017	1	
2	BISH.REAR SHOCK ABSORBER	1301039	1	
3	BOLT.FLANGE	10403	2	
4	OIL SEAL	1301032	1	
5	OIL SEAL	1301031	1	
6	COLLAR	1301087	1	
7	BEARING	10394	1	
8	COLLAR	1351007	1	
9	SHOCK ABSORBER ASSY REAR	1301066	2	
10	BOLT.FLANGE	4080002	2	
11	WASHER.PLATE	1301068	2	
12	BOLT.FLANGE	10078	2	

D-10: FUEL TANK



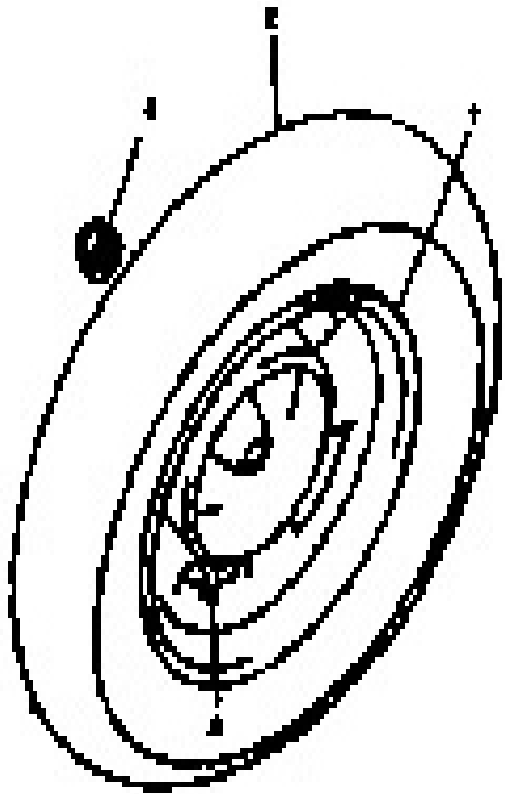
Item	Description	Part Number	Q.ty	Note
1	FUEL TANK COMP.	1301040	1	
2	CAP ASSY	1309040	1	
3	COVER.FILLER	1301043	2	
4	BOLT.FLANGE	10140	1	
5	BOSS.CONNECTOR	1301044	1	
6	CLIP	1309041	1	
7	PIPE.OVERF20W	1342015	1	
8	FUEL FILTER	1101003	1	
9	FILTER.ASSY	1309042	1	
10	CLIP	1281100	1	
11	HOSE	1342017	1	

D-11: FRONT WHEEL

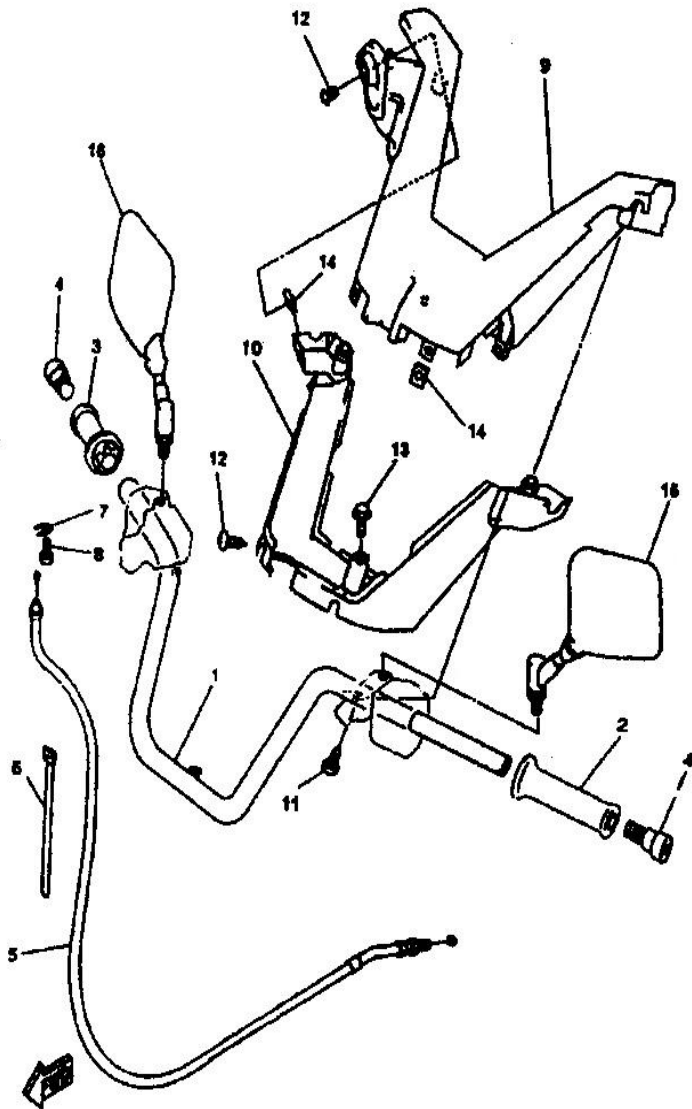


Item	Description	Part Number	Q.ty	Note
1	CAST WHEEL.FRONT	1301026	1	
2	COLLAR	1301028	1	
3	BEARING	10394	2	
4	OIL SEAL	1309043	1	
5	TIRE	1301025	1	
6	VALVE.RIM	1301120	1	
7	GEAR UNIT ASSY	1301034	1	
8	AXLE.RIM	1301059	1	
9	COLLAR	1301060	1	
10	NUT.SELF-LOCKING	10107	1	

Item	Description	Part Number	Q.ty	Note
1	CAST WHEEL.REAR	1350110	1	
2	TIRE	10399	1	
3	VALVE.RIM	1301120	1	
4	PIN.PIVOT	10107	1	

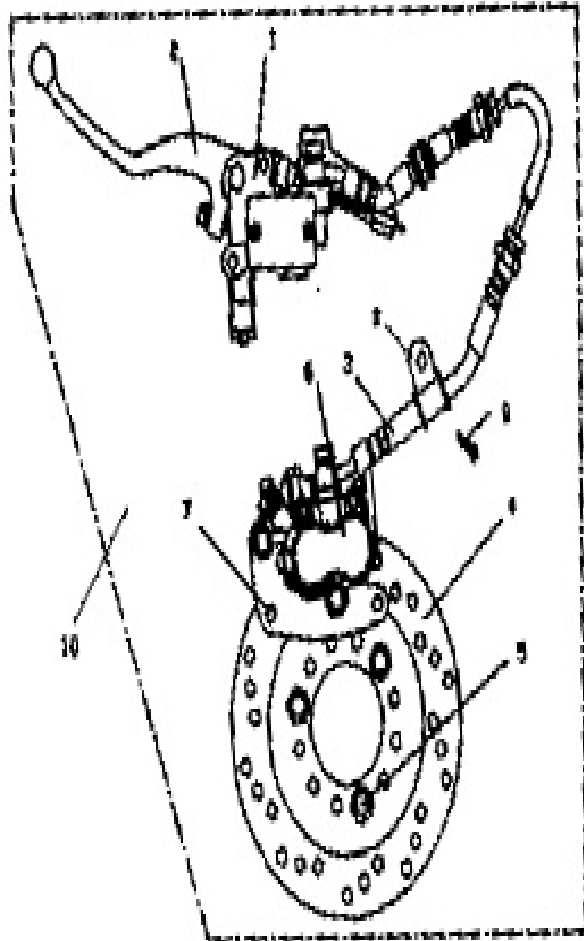


D-13: STEERING HANDLE CABLE



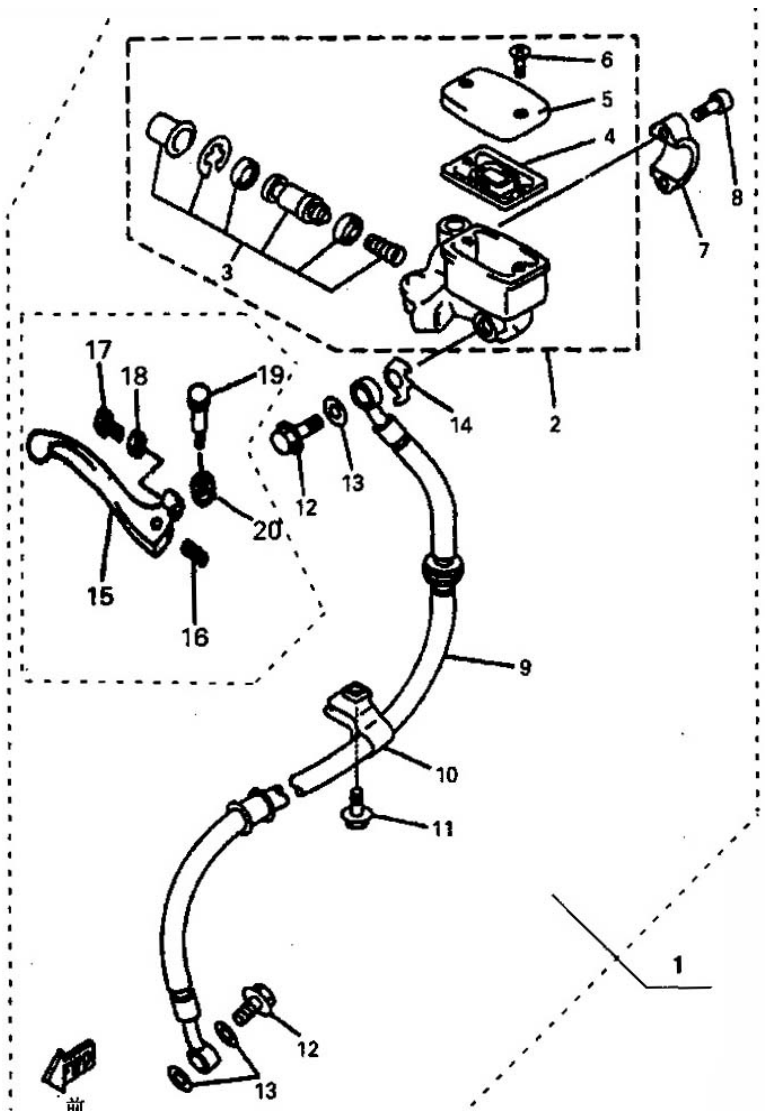
Item	Description	Part Number	Q.ty	Note
1	HANDLE COMP	1301055	1	
2	GRIP(LEFT)	1301214	1	
3	GRIP ASSY	1301071	1	
4	END.GRIP	1309046	2	
5	CABLE.THROTTLE 1	1342004	1	
6	CLAMP	1301077	1	
7	HOLDER	1301092	1	
8	SCREW.PAN HEAD	1309047	1	
9	HANDLE COVER ASSY	1301149	1	
10	LOWER HANDLEBAR COVER	1351014	1	
11	SCREW.TAPPING	1309144	2	
12	SCREW.TAPPING	4080021	5	
13	SCREW.WITH WASHER	10305	1	
14	NUT.SPRING	1301184	5	
15	REAR-VIEW MIRROR L.	1301029	1	
16	REAR-VIEW MIRROR R.	1301210	1	

D-14: REAR HYDRAULIC ASSY



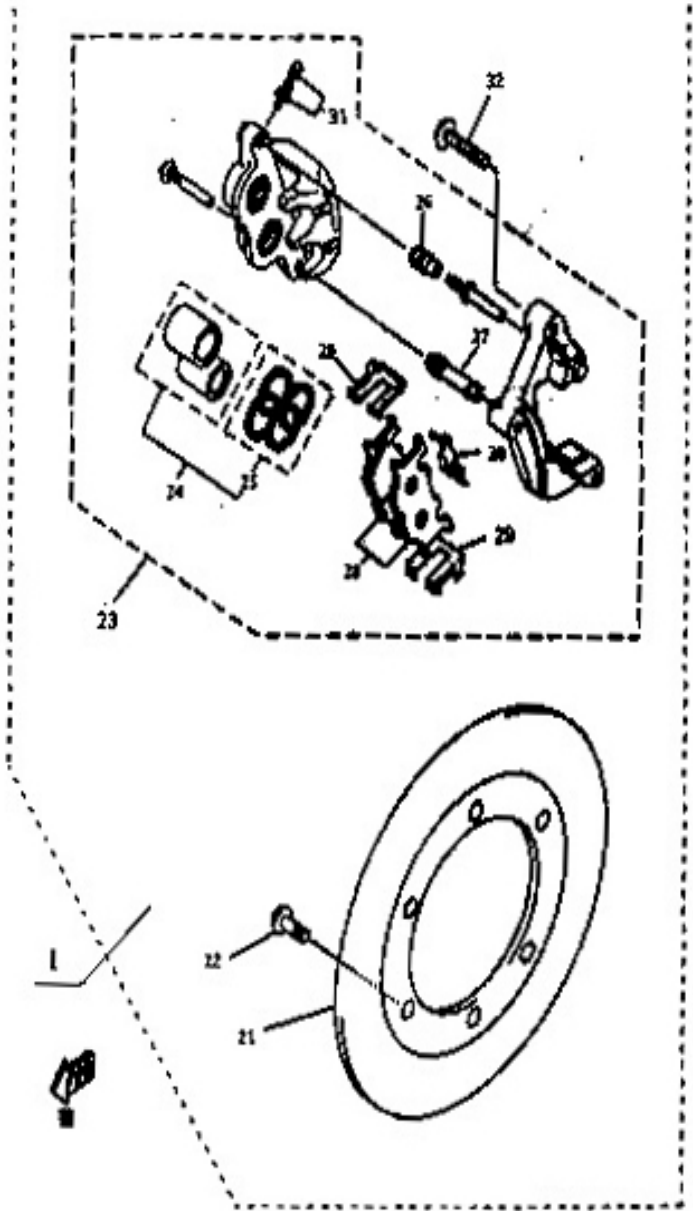
Item	Description	Part Number	Q.ty	Note
1	REAR MASTER CYLINDER ASSY	1351004	1	
2	LEVER 2	1309063	1	
3	BRAKE HOSE ASSY	1351005	1	
4	REAR DISK	1351006	1	
5	BOLT	1351008	3	
6	REAR CALIPER ASSY	1351009	1	
7	BOLT.WASHER BASED	1351010	2	
8	HOLSER.BRAKE HOSE	1301011	1	
9	BOLT M6X12	10140	1	
10	REAR HYDRAULIC BRAKE ASSY	1351013	1	

D-15: HYDRAULIC BRAKE ASSY



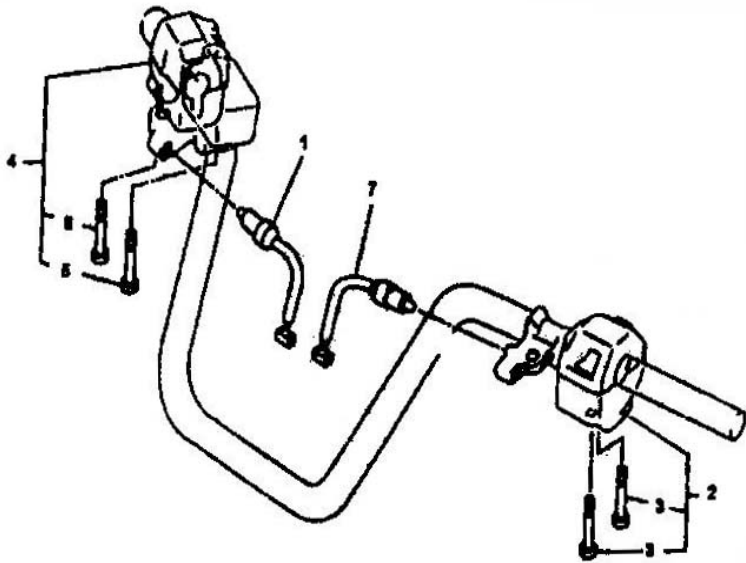
Item	Description	Part Number	Q.ty	Note
1	HYDRAULIC BRAKE ASSY	1301074	1	
2	MASTER CYLINDER ASSY	1309050	1	
3	.CYLINDER KIT.MASTER	1309051	1	
4	.DIAPHRAGM.RESERVOIR	1309052	1	
5	.CAP.RESERVOIR	1309053	1	
6	.SCREW.FLAT HEAD	1309054	2	
7	BRACKET.MASTER CYLINDER	1309055	1	
8	BOLT.SOCKET HEAD	1309056	2	
9	HOSE.BRAKE 1	1309057	1	
10	HOLDER.BRAKE HOSE 2	1309058	1	
11	BOLT.FLANGE	1309059	1	
12	BOLT.UNION	1309060	2	
13	WASHER.PLATE	1309061	3	
14	WASHER.LOCK	1309062	1	
15	LEVER 2	1309063	1	
16	SPRING COMPRESSION	1309064	1	
17	BOLT	1309065	1	
18	NUT	1309066	1	
19	BOLT	1309067	1	
20	NUT	10104	1	

D-16: HYDRAULIC BRAKE ASSY



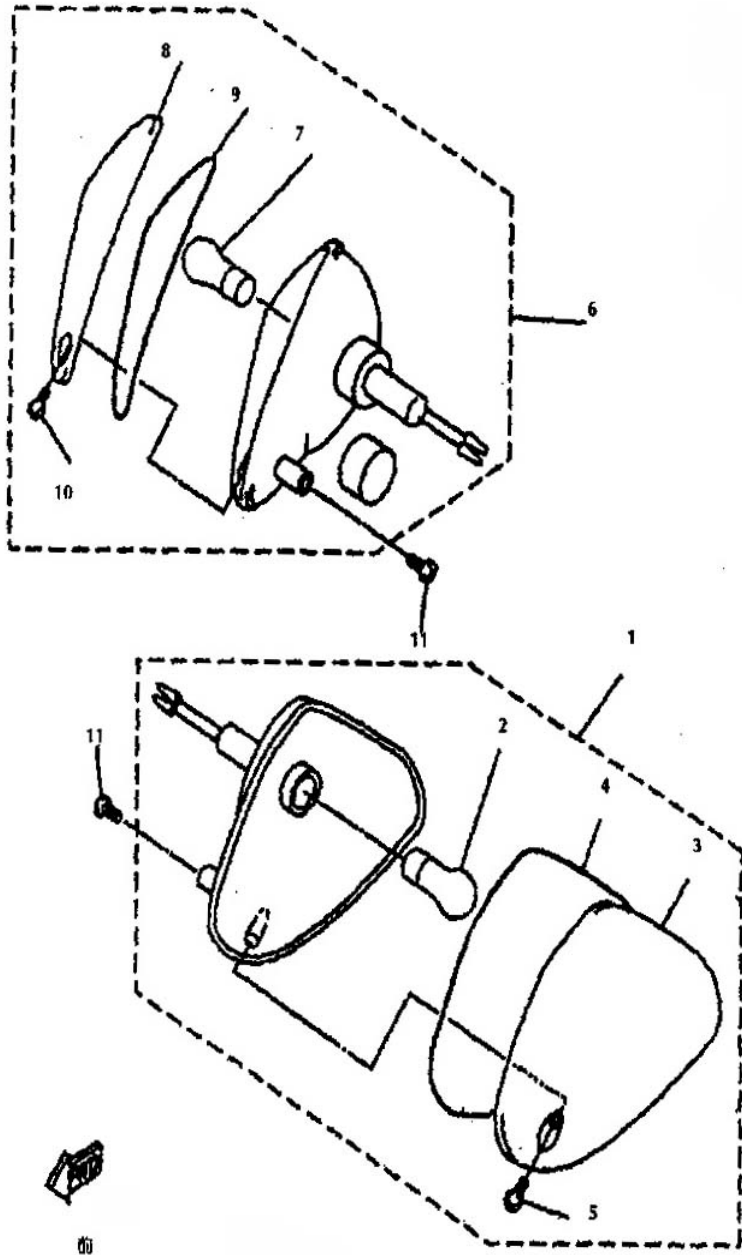
Item	Description	Part Number	Q.ty	Note
21	DISC.BRAKE	1301033	1	
22	BOLT	1301035	6	
23	CALIPER ASSY(RIGHT)	1309069	1	
24	.PISTON ASSY.CALIPER	1309070	1	
25	.CALIPER SEAL KIT	1309071	1	
26	.BOOT 2	1309072	1	
27	.BOOT 2	1309073	1	
28	.BRAKE.PAD KIT	1309074	1	
29	.SUPPORT.PAD	1309075	2	
30	.SPRING.ANTI RETTLE	1309076	1	
31	.BLEED SCREW KIT	1309077	1	
32	BOLT.WASHER BASED	1309078	2	

D-17: HANDLE SWITCH LEVER

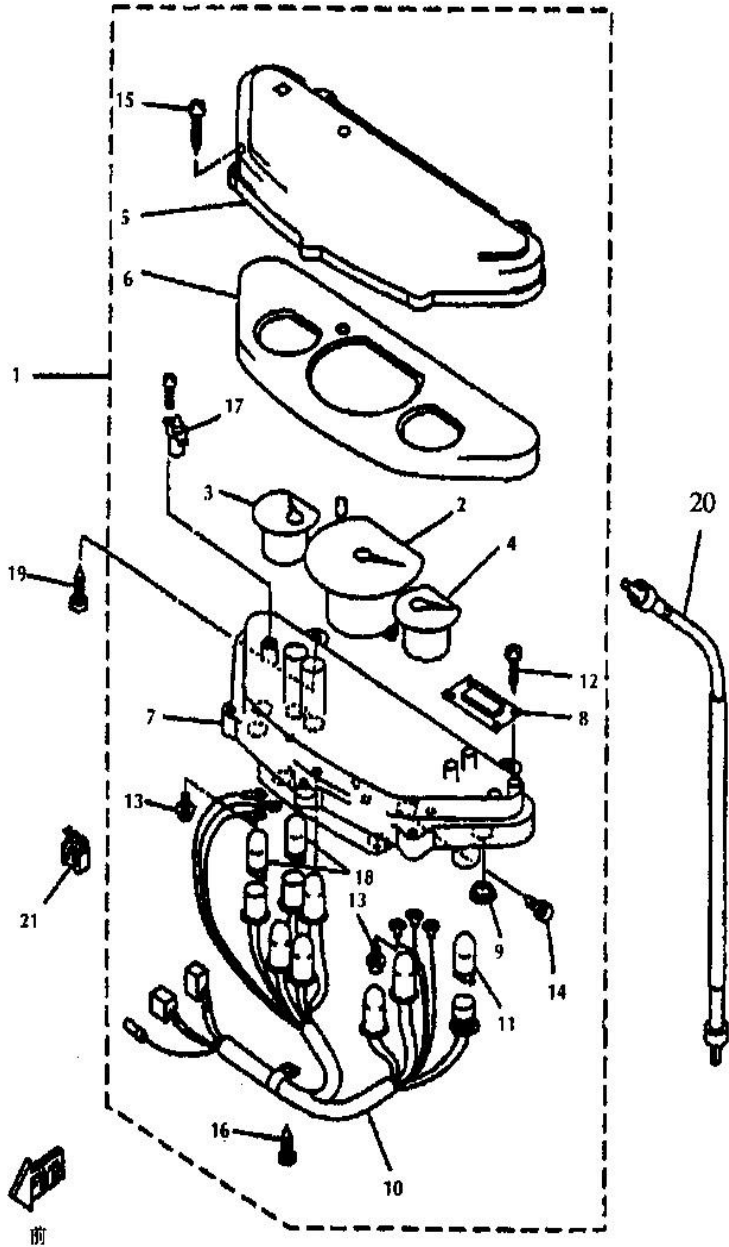


Item	Description	Part Number	Q.ty	Note
1	FRONT STOP SWITCH ASSY	1309079	1	
2	SWITCH HANDLE LEFT	1312002	1	
3	BOLT	1309080	1	
4	SWITCH HANDLE RIGHT	1312003	1	
5	BOLT	1309081	1	
6	BOLT	1309082	1	
7	REAR STOP SWITCH ASSY	1312009	1	

D-18: FLASHEER LIGHT

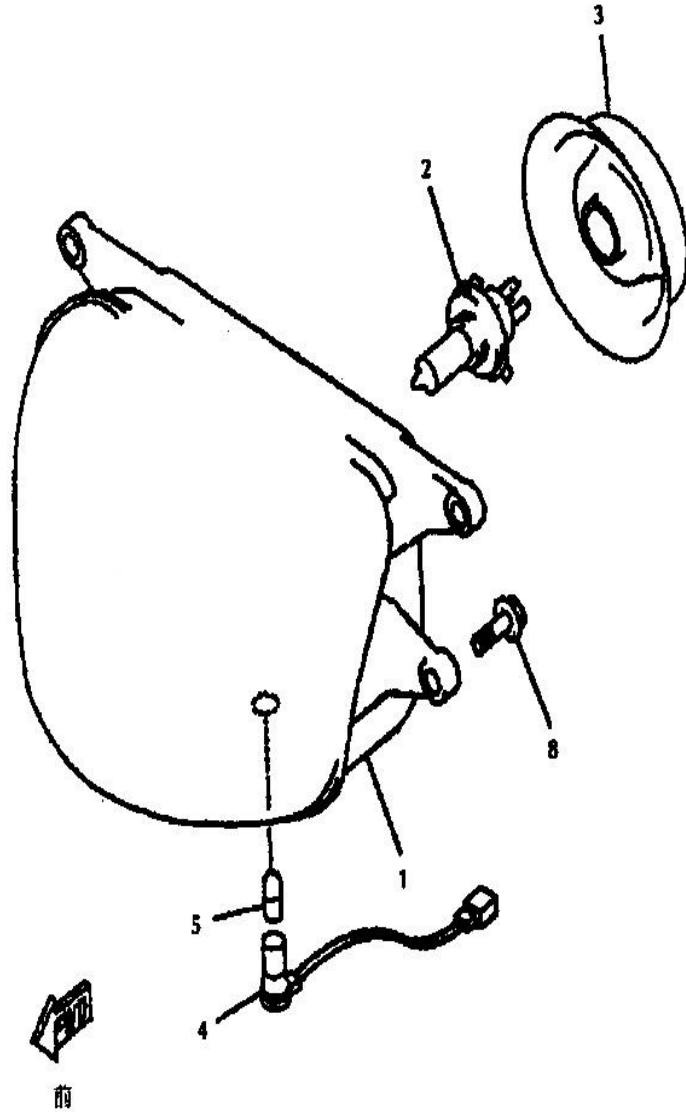


Item	Description	Part Number	Q.ty	Note
1	FRONT FLASHER LIGHT ASSY 1	1302006	1	
2	BULB,FLASHER(12V 21W)	1309090	1	
3	LENS,FLASHEER	1309091	1	
4	GASKET,FLASHER LENS	1309092	1	
5	SCREW,TAPRING	1309093	1	
6	FRONT FLASHER LIGHT ASSY 2	1302006	1	
7	BULB,FLASHER(12V 21W)	1309094	1	
8	LENS,FLASHEER 2	1309095	1	
9	GASKET,FLASHER LENS	1309096	1	
10	SCREW,TAPRING	1309097	1	
11	SCREW,TAPRING	1309098	4	



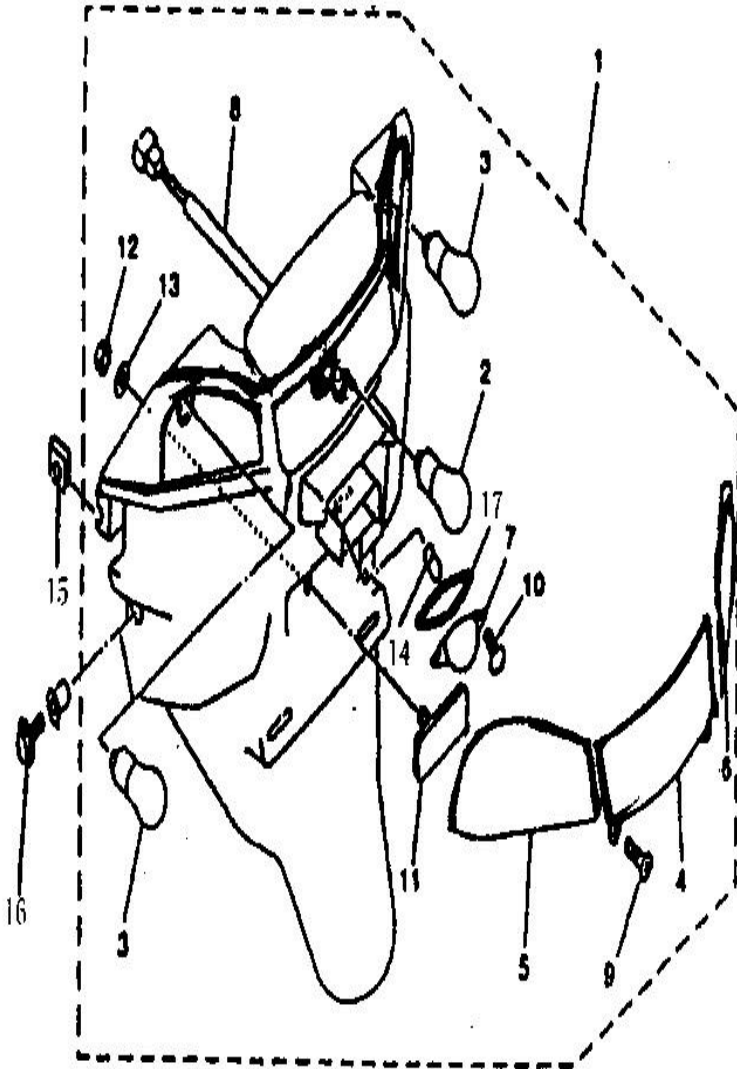
Item	Description	Part Number	Q.ty	Note
1	SPEEDOMTER ASSY	1301146	1	
2	SPEEDOMTER ASSY	1309099	1	
3	FUEL METER ASSY	1309100	1	
4	WATER TEMPERATURE ASSY	1309101	1	
5	LENS,SPEEDOMETER	1309102	1	
6	COVER,METER PANEL	1309103	1	
7	CASE,UNDER	1309104	1	
8	DIGITAL CLOCK	1309105	1	
9	ASSY	1309106	2	
10	PLUG,BLIND	1309107	1	
11	SOCKET CORD ASSY	1309108	6	
12	SCREW,TAPRING	1309109	4	
13	SCREW,WITH WASHED	1309110	6	
14	SCREW,TAPRING	1309111	2	
15	SCREW,TAPRING	1309112	4	
16	SCREW,TAPRING	1309113	1	
17	SWITCH	1309114	1	
18	BULB(12V 3.4W)	1309115	2	
19	SCREW,TAPRING	1309116	2	
20	SPEEDOMETER CABLE ASSY	1301179	1	
21	LOCK 1	1309117	2	

D-20: HEADLIGHT

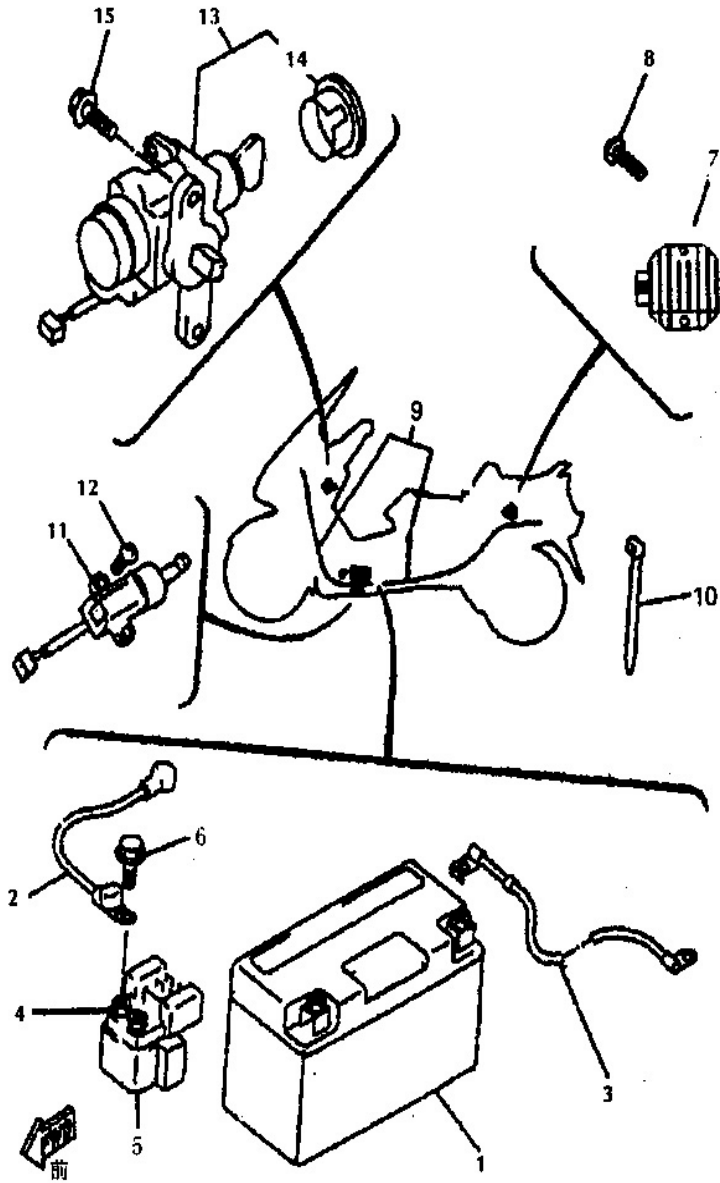


Item	Description	Part Number	Q.ty	Note
1	LENS ASSY	1301154	1	
2	BULB(12V 60/55W)	1309118	1	
3	COVER,SOCKET	1309119	1	
4	HOLDER,SOCKET	1309120	1	FOR EUROPE
5	BULB(12V 5W)	1309121	1	
6	BOLT,FLANGE	10110	4	

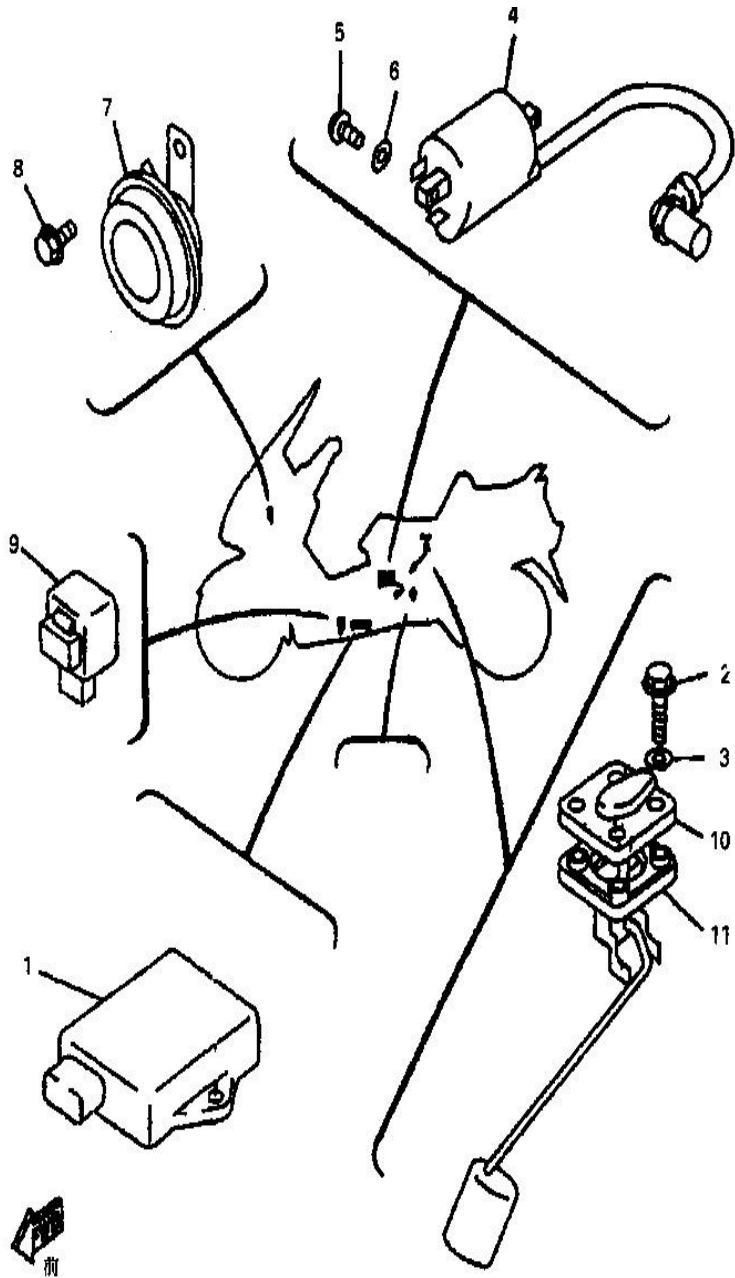
D-21: TAILLIGHT



Item	Description	Part Number	Q.ty	Note
1	TAILLIGHT UNIT ASSY	1301102	1	
2	BULB(12V 21W/5W)	1309122	1	
3	BULB(12V 21W)	1309123	2	
4	LENS,FAILLIGHT	1309124	1	
5	LENS,FLANGE	1309125	1	
6	LENS,FLANGE 2	1309126	1	
7	LENS,LICENCE LIGHT	1309127	1	
8	CORD ASSY	1309128	1	
9	SCREW,TAPRING	4080021	2	
10	SCREW,TAPRING	4080021	2	
11	REAR REFLECTOR ASSY	1301221	1	
12	NUT,FLANGE	10109	1	
13	WASHER,SPRING	10002	1	
14	BULB(12V 5W)	1309129	1	
15	NUT,SPRING	1301184	4	
16	BOLT,FLANGE	10110	2	
17	WASHER,SPRING	1309130	1	

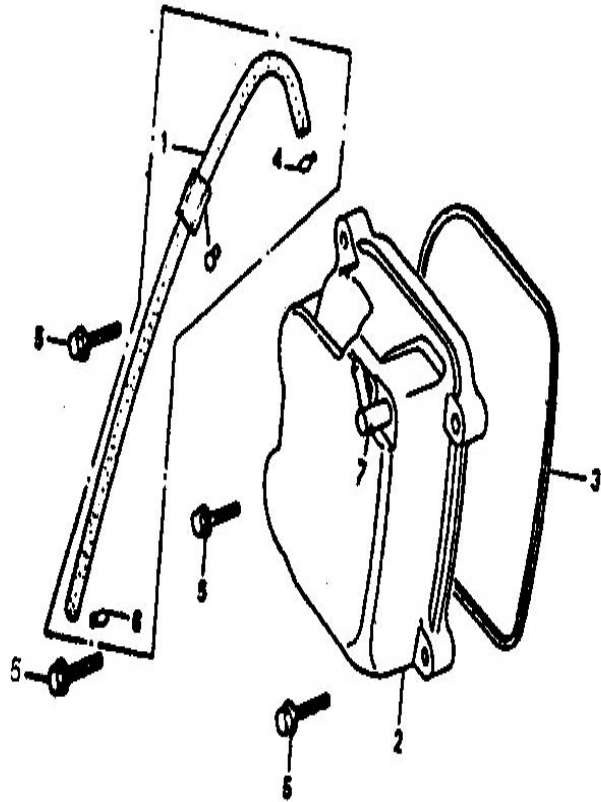


Item	Description	Part Number	Q.ty	Note
1	BATTERY	10395	1	GTX9-BS
2	ELECTRIC CABLE 1	1309131	1	
3	ELECTRIC CABLE 2	1309132	1	
4	STARTING RELAY	1301160	1	
5	SPRING.COMPRESSION	1309133	1	
6	BOLT.FLANGE	1309086	2	
7	RECTIFIER	1301106	1	
8	BOLT,FLANGE	10183	1	
9	ELEVTRIC CABLE	1342053	1	
10	CLAMP	1301077	11	
11	SWITCH	1301061	1	
12	BOLT,PAN HEAD	10001	2	
13	ELECTRIC LOCK	1309134	1	
14	LOCK CAP	1309135	1	
15	BOLT,FLANGE	10010	2	



Item	Description	Part Number	Q.ty	Note
1	C.D.I.	2531584	1	
2	BOLT	10001	4	
3	WASHER , SPECIAL	10002	4	
4	IGNITION COIL ASSY	2531583	1	
5	SCREW.PAN HEAD	10127	2	
6	WASHER.PLATE	10002	2	
7	HORN	1301082	1	
8	BOLT , FLANGE	10183	1	
9	FLASHER RELAY ASSY	1301159	1	
10	SENDER UNIT ASSY,FUEL METER	1342045	1	
11	GASKET,SENDER UNIT	1309136	1	

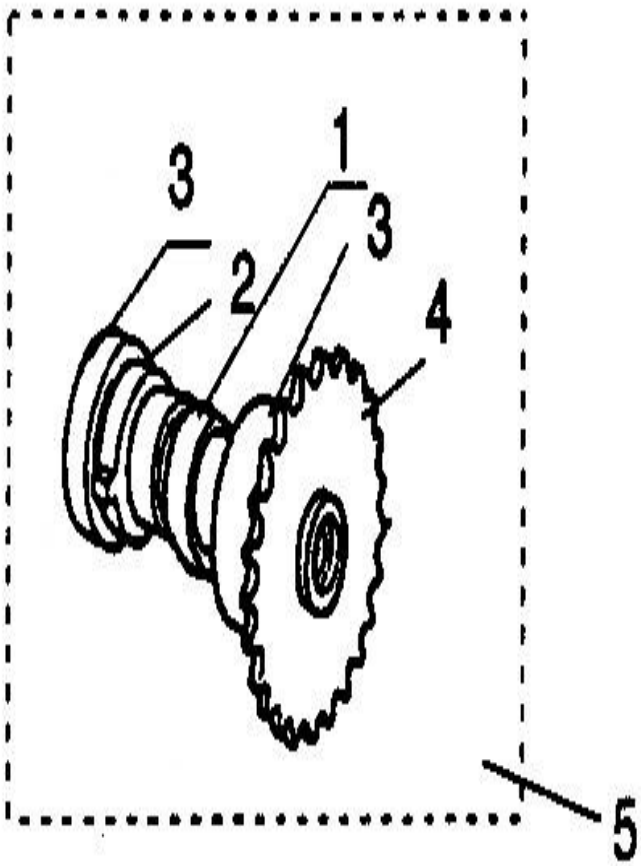
D-24: COVER COMP CYLINDER HEAD 1



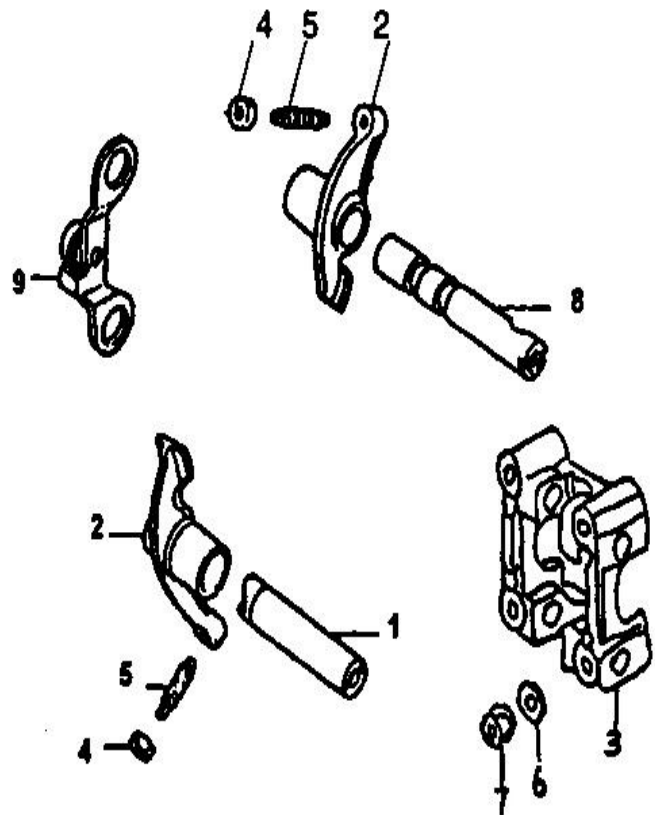
Item	Description	Part Number	Q.ty	Note
1	TUBE BREATHER	2531589	1	
2	CYLINDER HEAD COVER	2531001	1	
3	GASKET HEAD COVER	2531546	1	
4	CLAMP TUBE (D8.5)	1309150	1	
5	BOLT FLANGE M6X25	10187	4	
6	CLIP B 12MM	1309152	1	
7	JOINT ASSY	2531003	1	
8	HOSE	1309153	1	

D-25: CAMSHAFT COMP

Item	Description	Part Number	Q.ty	Note
1	CAMSHAFT	2531005	1	
2	AUTO PRESSURE PURGER OUTE	2531006	1	
3	BEARING 7000102	10317	2	
4	TIMING CHAIN COMP	2531004	1	
5	CAMSHAFT COMP1	2531079	1	

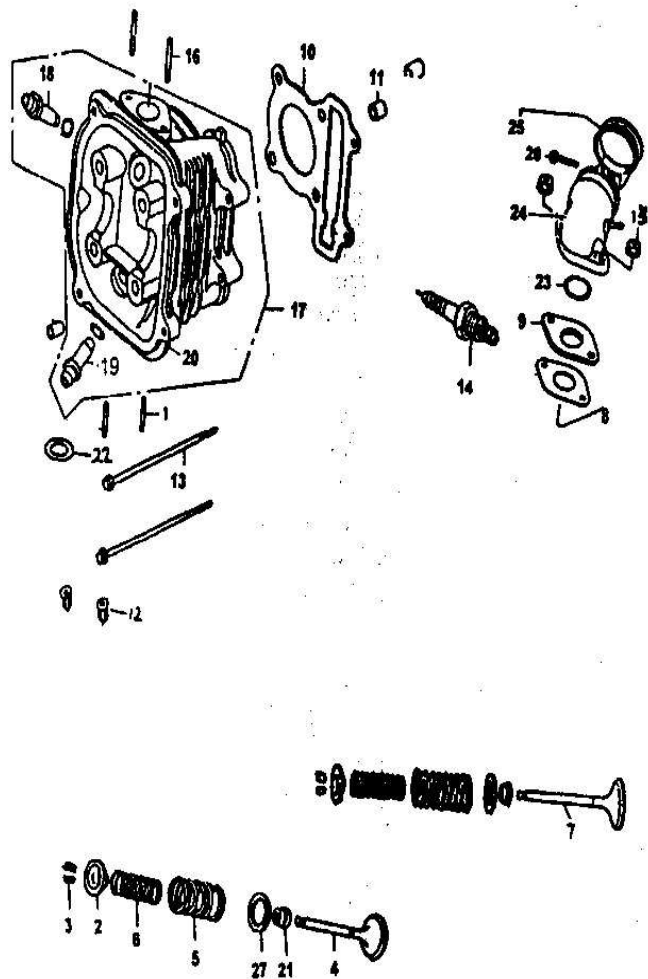


D-26: HOLDER CAMSHAFT COMP



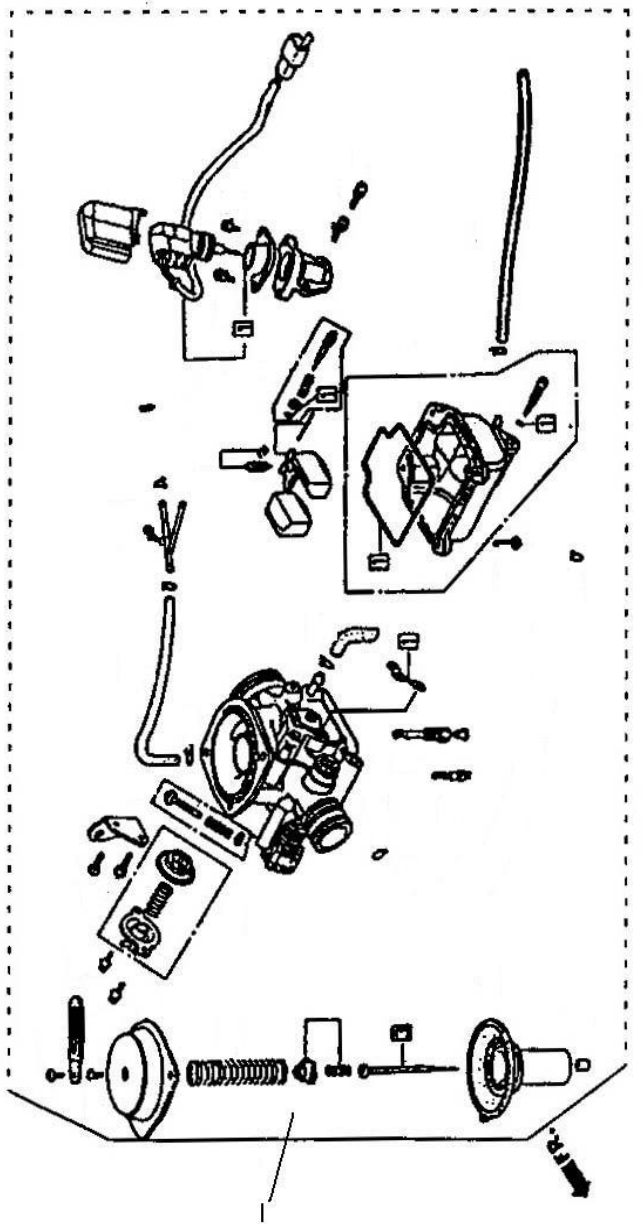
Item	Description	Part Number	Q.ty	Note
1	SHAFT EX ROCKER ARM	2531010	1	
2	ARM VALVE ROCKER	2531011A	2	
		2531011B	2	
3	HOLDER CAMSHAFT	2531012A		
		2531012B	1	
4	NUT TAPPET ADJUSTING	1309154	2	
5	SCREW TAPPET ADJUSTING	1309155	2	
6	WASHER M8	1309156	4	
7	NUT FLANG M8	1309157	4	
8	SHAFT COMP IN ROCKER ARM	2531008	1	
9	PLATE COMP STOPPER	2531009	1	

D-27: CYLINDER HEAD COMP



Item	Description	Part Number	Q.ty	Note
1	BOLT 2 STUD M6X35	1309158	2	
2	RETAINER VALVE SPRING	2531014	2	
3	COTTER VALVE	2531077	4	
4	VALVE EX	2531576	1	
		2531576B	1	
5	SPRING VALVE OUTER	2531538	2	
6	SPRING VALVE INNER	2531539	2	
7	VALVE IN	2531577	1	
		2531577B	1	
8	GASKET CARBURETOR INSULATOR	2531527	1	
9	INSULATOR CARBURETOR	2531015	1	
10	GASKET CYLINDER HEAD	2531016A	1	
		2531016B	1	
11	PIN DOWEL 10X16	2531017	4	
12	NUT CAP M6	4080100	2	
13	BOLT FLANGE M6X100	4080088	2	
14	PLUG SPARK	2531587	1	
15	NUT FLANGE M6	1309159	2	
16	BOLT 2 STUD M6X50	10389	2	
17	HEAD COMP CYLINDER	2531013	1	
		2571087	1	
18	GUIDE IN VALVE	1309160	1	
19	GUIDE EX VALVE	1309161	1	
20	CYLINDER HEAD	1309162	1	
		1309163	1	
21	SEAL VALVE STEM	2531547	2	
22	GASKET EX PIPE	1309164	1	
23	O-RING 26.5X1.8	10321	1	
24	PIPE COMP IN	2531548	1	
25	BAND INSULATOR	2531549	1	
26	SCREW 4X25	10372	1	
27	SEAT VALVE SPRING OUTER	4080077	2	

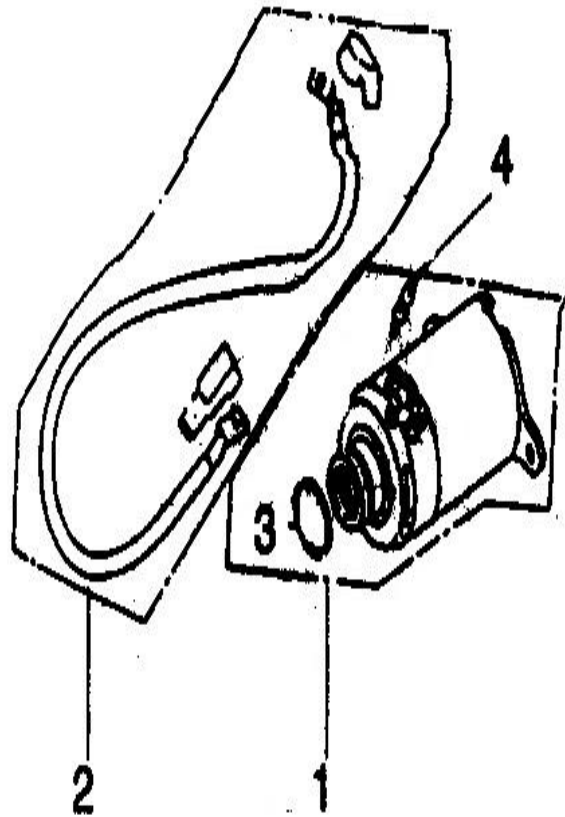
D-28: CARBURETOR



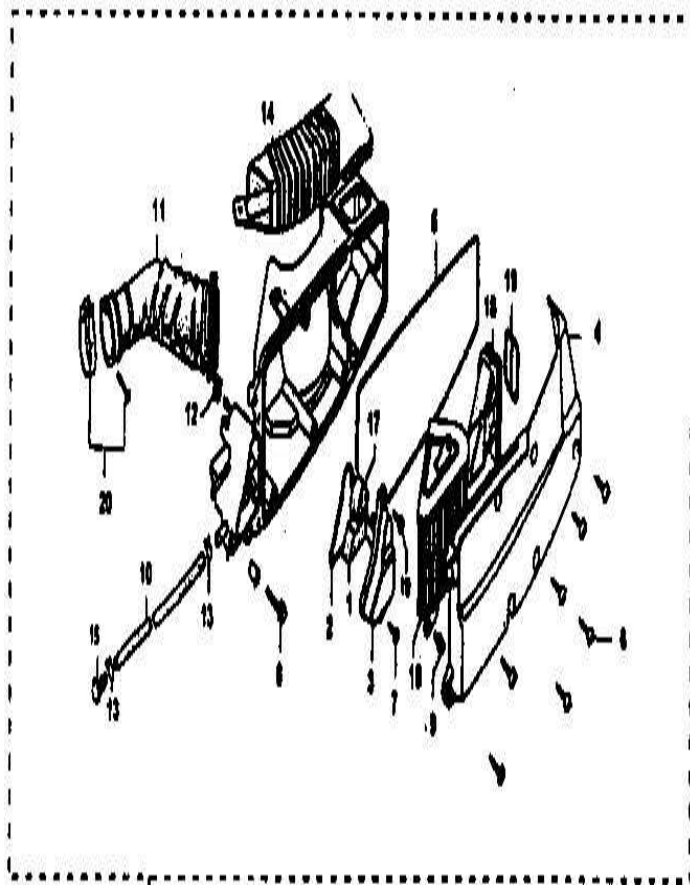
Item	Description	Part Number	Q.ty	Note
1	CARBURETOR ASSY	2531508A	1	
		2531508B	1	

D-29: STARTING MOTOR

Item	Description	Part Number	Q.ty	Note
1	MOTOR ASSY STARTER	2531507	1	
2	CABLE STARTER	1309196	1	
3	O-RING 24.4X3.1	1309197	1	
4	SCREW-WASHER 5X8	10092	1	



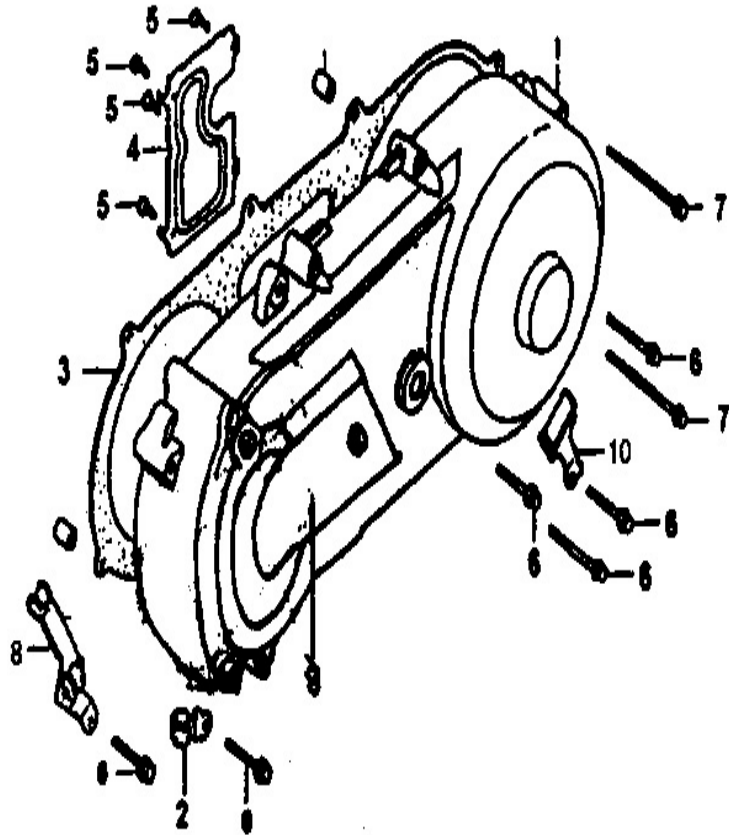
D-30: AIR CLEANER



21

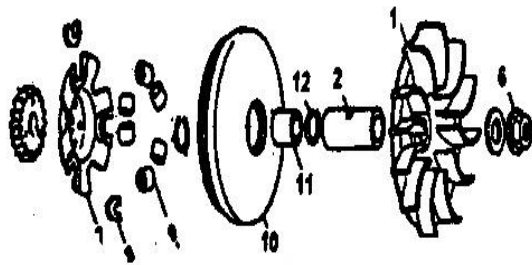
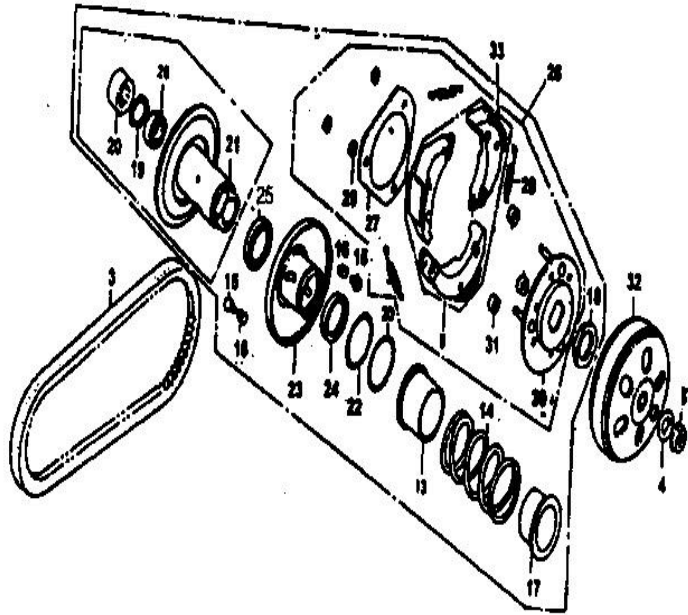
Item	Description	Part Number	Q.ty	Note
1	FILTER OIL CATCH	1309199	1	
2	SEAL OIL CATCH	1309200	1	
3	COVER ASSY OIL CATCH	1309201	1	
4	COVER AIR CLEANER	1309202	1	
5	SEAL AIR CLEANER COVER	1309203	1	
6	SCREW TAPPING 4.8X20	10397	1	
7	SCREW TAPPING 3.9X20	10398	2	
8	BOLT FLANGE 6X30	10401	2	
9	SCREW WASHER 5X10	10305	2	
10	TUBE VINYL 5X2X330	1309206	1	
11	TUBE AIR CLEANER CONNECTING	1309207	1	
12	CLAMP TUBE	1309208	2	
13	CLIP BREATHER TUBE	1309209	1	
14	DUCT AIR CLEANER CASE	1309210	1	
15	PLUG BREATHER TUBE	1309211	1	
16	ELEMENT COMP AIR CLEANER	2531060	1	
17	FILTER BREATER	1309212	1	
18	DUCT AIR CLEANER IN	1309213	1	
19	SPRING IN DUCT	1309214	1	
20	BAND AIR CLEANER CONNECTING	1309215	1	
21	AIR CLEANER	2531018	1	

D-31: LEFT CRANKCASE COVER



Item	Description	Part Number	Q.ty	Note
1	COVER LEFT	2531019	1	
2	CLAMPER BREATHER DRAIN TUB	2531022	1	
3	GASKET LEFT COVER	2531529	1	
4	PLATE LEFT COVER	2531023	1	
5	SCREW TAPPING 4X6	10165	4	
6	BOLT FLANGE 6X40	10177	6	
7	BOLT FLANGE 6X65	10161	2	
8	CLAMPER THROTTLE CABLE	2531024	1	
9	BREATHER COVER COMP	2531070	1	
10	CLAMPER BRAKE CABLE	2531020	1	

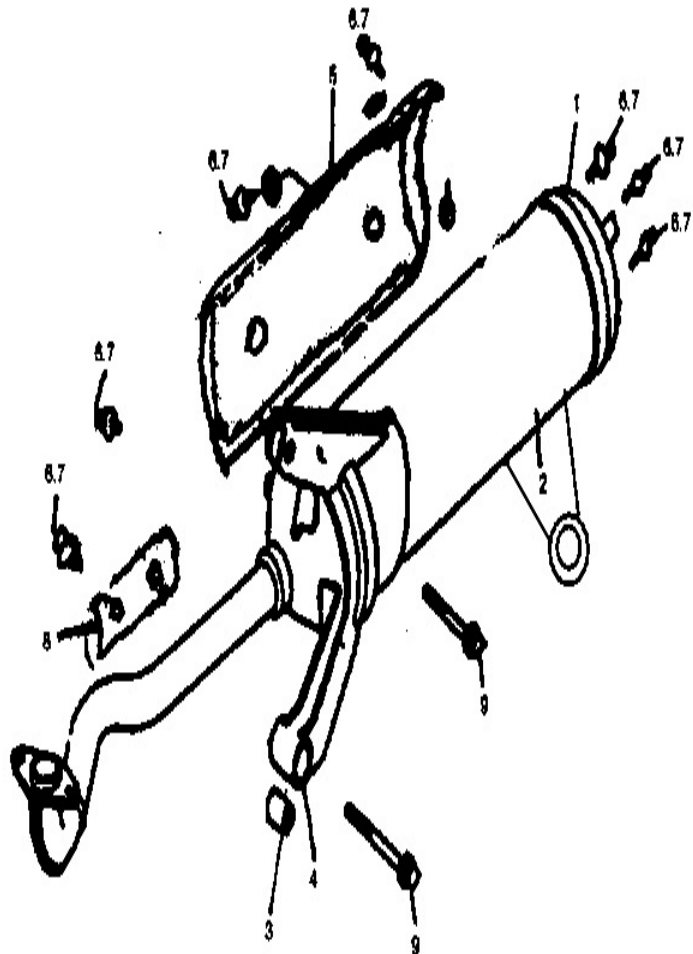
D-32: DRIVE PULLEY



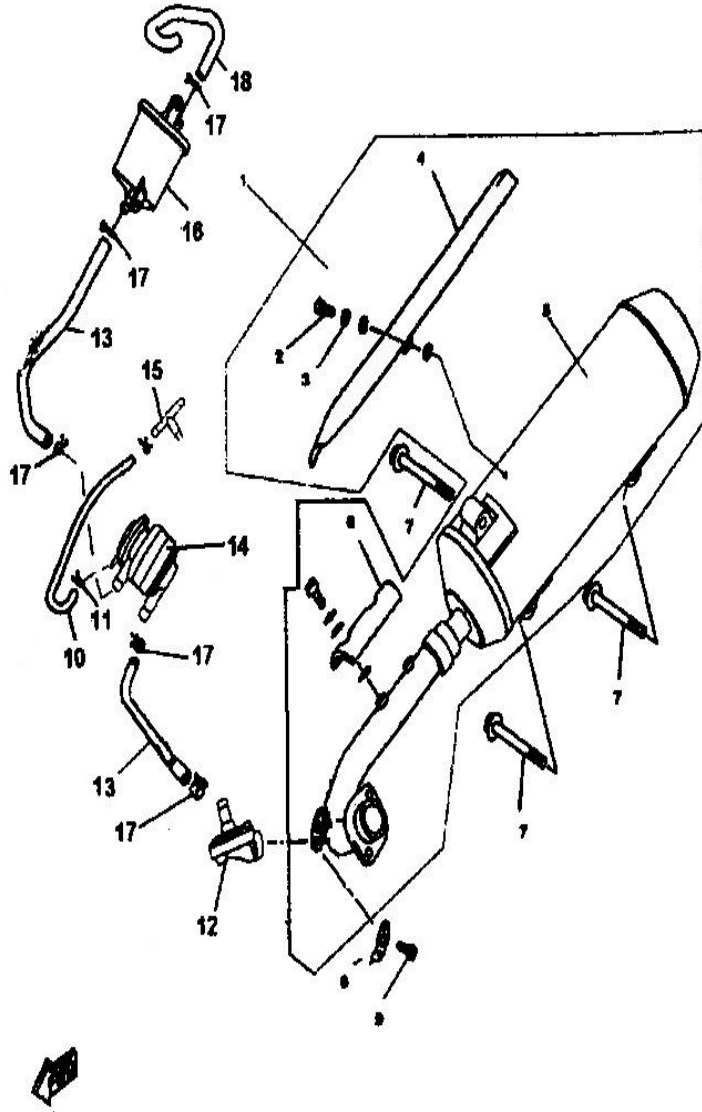
Item	Description	Part Number	Q.ty	Note
1	FACE DRIVE	1309217	1	
2	BOSS DRIVE FACE	1309218	1	
3	BELT DRIVE	2531579A	1	
4	WASHER PLAIN 12MM	4080099	2	
5	NUT FLANGE 12X1.25MM	4070034	1	
6	NUT FLANGE 12X1.25MM	10188	1	
7	PLATE RAMP	1309219	1	
8	PIECE SLIDE	1309220	3	
9	ROLLER SET WEIGHT	1309221	6	
10	FACE COMP MOVABLE DRIVE	1309222	1	
11	COLLAR DRIVE FACE	1309223	1	
12	CLIP 28MM	1309224	2	
13	COLLAR SEAL	1309225	1	
14	SPRING DRIVEN FACE	1309226	1	
15	PIN ROLLER GUIDE	1309227	3	
16	ROLLE GUIDE	1309228	3	
17	COLLAR SPRING	1309229	1	
18	NUT SPECIAL 28MM	1309230	1	
19	CIR CLIP IN 28MM	10386	1	
20	BEARIING NEEDLE 20X29X18	1309232	1	
21	FACE COMP DRIVEN	1309233	1	
22	O-RING PINION CAP	1309234	2	
23	FACE COMP MOVABLE DRIVEN	1309235	1	
24	SEAL DRIVEN FACE	1309236	2	
25	BEARING BALL RADIAL	1309237	1	
26	PLATE ASSY DRIVEN	1309238	1	
27	PLATE CLUTCH SIDE	1309239	1	
28	SPRING CLUTCH	1309240	3	
29	CIR CLIP 6MM	10130	3	
30	PLATE CLUTCH DRIVE	1309241	1	
31	SPRING CLUTCH DAMPER	1309242	3	
32	OUTER CLUTCH	1309243	1	
33	WEIGHT SET CLUTCH	1309244	3	

D-33: EXHAUST MUFFLER

Item	Description	Part Number	Q.ty	Note
1	REAR PANEL	1309245	1	
2	MUFFIER CYLINDER	1309246	1	
3	SPACER	1309247	3	
4	RUBBER COVER	1309248	3	
5	PROTECTWE COVER	1309249	1	
6	BOLT	1309250	8	
7	GASKET	10308	8	
8	PROTECTWE COVER	1309252	1	
9	BOLT	1309253	3	



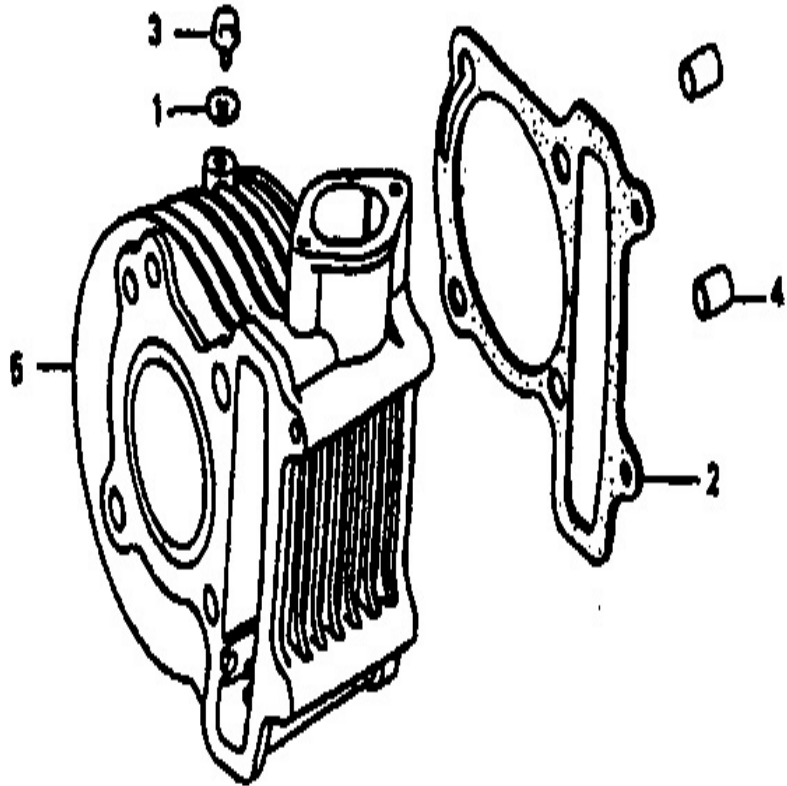
D-34: EXHAUST MUFFLER (For Europe II)



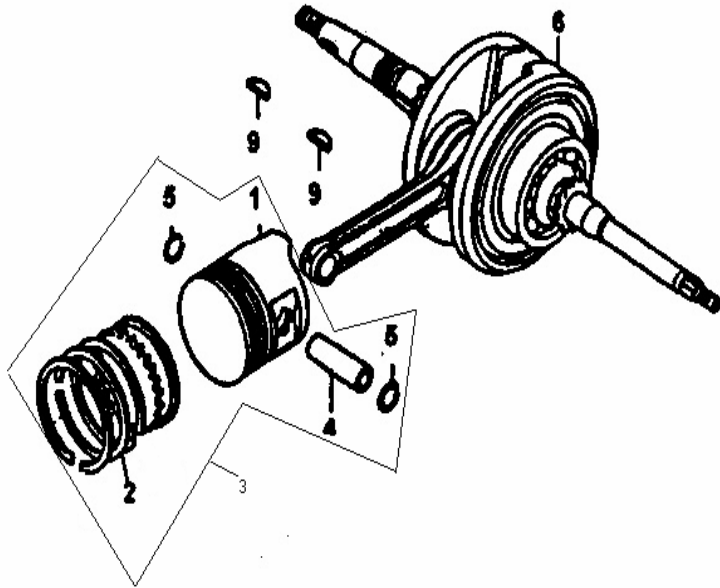
Item	Description	Part Number	Q.ty	Note
1	MUFFLER	2603201	1	
2	BOLT M6	2603202	8	
3	WASHER	10308	8	
4	PROTECTIVE PANEL	2603204	1	
5	EXHAUSE	2603205	1	
6	SMALL PROTECTIVE PANEL	2603206	1	
7	BOLE M8X42	2603207	3	
8	WASHER	2603208	1	
9	BOLT M6X12	2603209	2	
10	PIPE A	2603210	1	
11	HOSE CLAMP 7	2603211	4	
12	VALVE 2	2603212	1	
13	HOSE	43511	2	
14	VALVE 1	2603214	1	
15		2603215	1	
16	FILTER	43523	1	
17	HOSE CLAMP 16	43519	5	
18	HOSE A	43518	1	

D-35: CYLINDER COMP

Item	Description	Part Number	Q.ty	Note
1	WASHER SEALING 6.5MM	1309254	1	
2	GASKET CYLINDER	2531531A	1	
		2531531B	1	
3	BOLT FLANGE6X6	10342	1	
4	PIN DOWEL 10X16	2531017	2	
5	CYLINDER COMP	2531064A	1	
		2531064B	1	

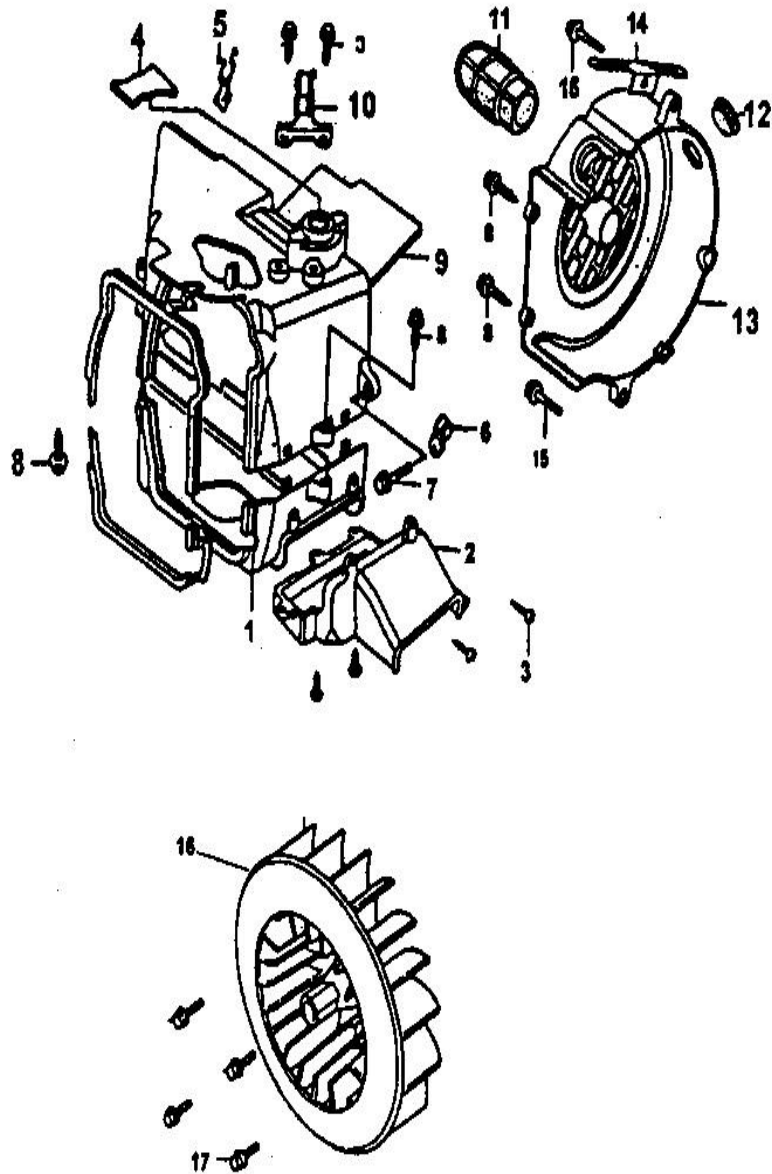


D-36: CRANKSHAFT COMP

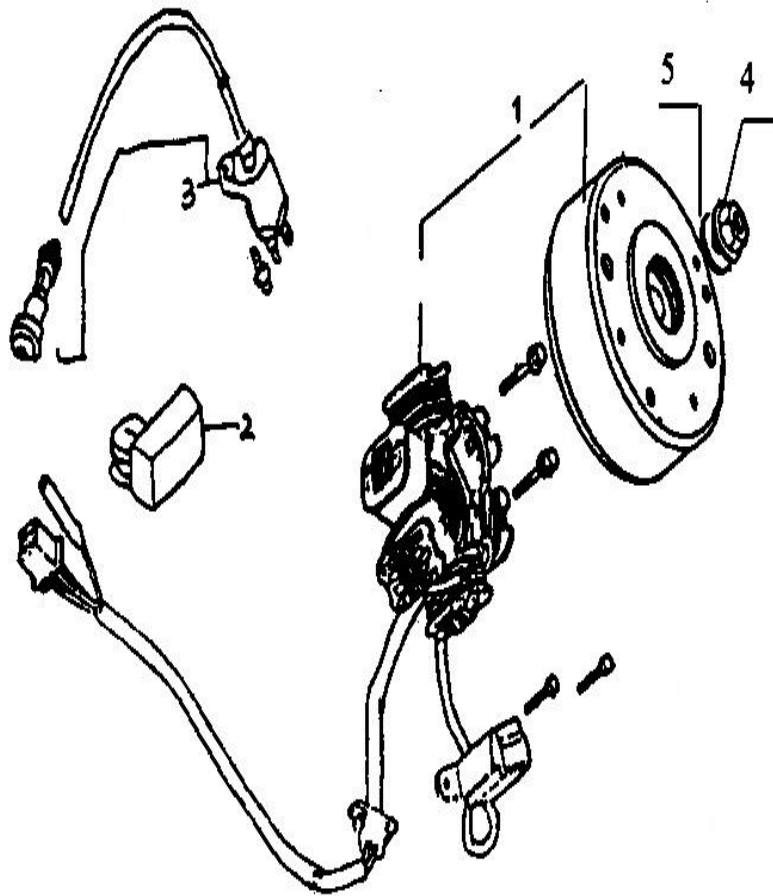


Item	Description	Part Number	Q.ty	Note
1	PISTON	2531501	1	125 cc
1		2531573B		150 cc
2	PISTIN RING SET	1309255	1	125 cc
2		1309256		150 cc
3	PISTON KIT 52,4 MM	1309200	1	125 cc
4	PIN PISTON	2531503	1	125 cc
4		2531575		150 cc
5	CLIP PISTON PIN 15MM	2531540	2	
6	CRANK SHAFT COMP	2531029	2	
9	KEY WOODRUFF	1309263	2	

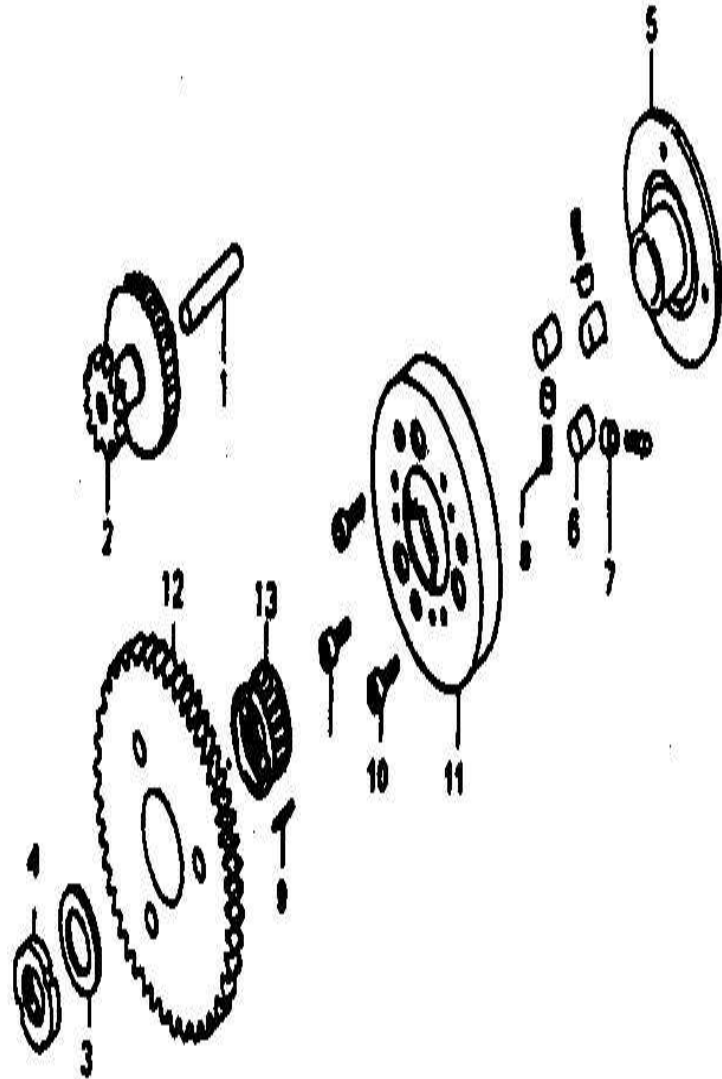
D-37: FAN COVER * SHROUD



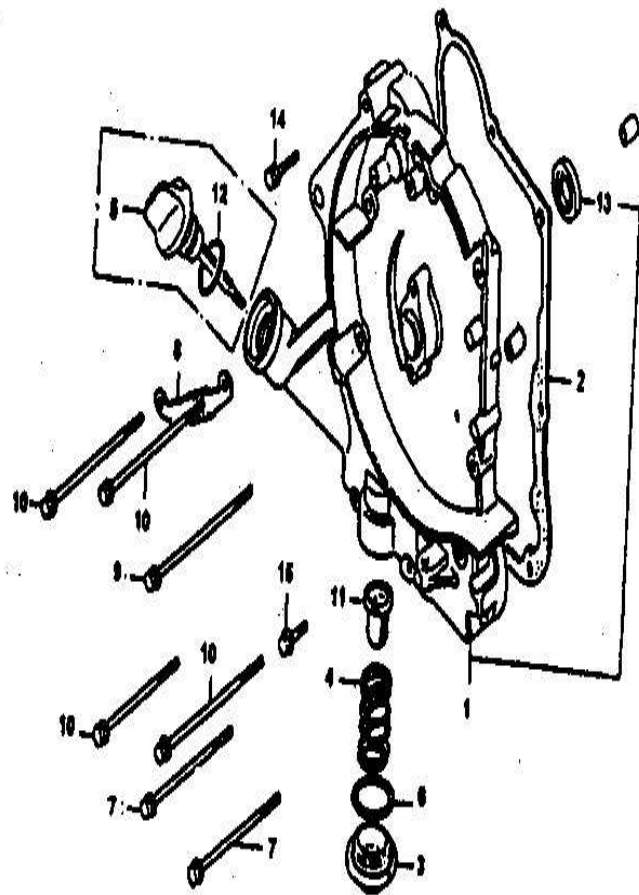
Item	Description	Part Number	Q.ty	Note
1	DOWM SHROUD COMP	2531030	1	
2	DUCT SHROUD	1309264	1	
3	SCREW TAPPING ST4.8X13F	10052	7	
4	GROMMET SHROUD	2531550	1	
5	CLIP HIGH TENSION CORD	2531032	1	
6	CLAMPER CARB DRAIN TUBE	1531033	1	
7	BOLT FLANGE 6X25	10187	1	
8	SCREW TAPPING ST4.8X16	10009	2	
9	UP SHROUD COMP	2531031	1	
10	CLAMPER BREATHER TUBE	1309266	1	
11	DUCT CARBURETOR COOLING	2531551	1	
12	CROMMET SIDE PANEL	2531552	1	
13	COVER COMP FAN	2531034	1	
14	CLAPER STARTER CABLE	2531581	1	
15	BOLT FLANGE M6X25	10187	2	
16	PAN COMP COOLING	2531035	1	
17	BOLT FLANGE M6X18	10191	4	



Item	Description	Part Number	Q.ty	Note
1	GENERATOR ASSY FLYWHEEL TY	2531582	1	
2	C.D.I UNIT	2531584	1	
3	COIL ASSY IGNITION	2531583	1	
4	NUT FLANGE 12X1.25	1309627	1	
5	WASHER PLAIN 12MM	10032	1	

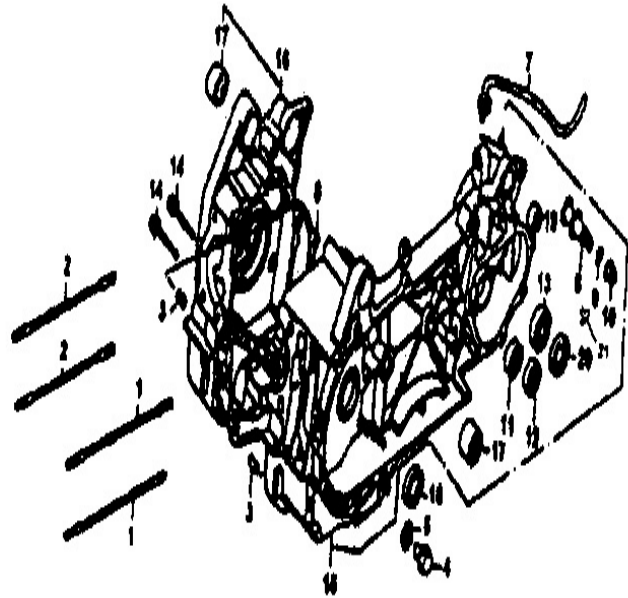


Item	Description	Part Number	Q.ty	Note
1	SHAFT STARTER REDUCTION GE	2531036	1	
2	GEAR STARTER REDUCTION	2531037	1	
3	WASHER THRUST	1309269	1	
4	NUT LOCK	1309270	1	
5	FLANGE STARTING CLUTCH	1309271	1	
6	ROLLER 10X10	1309272	3	
7	CAP STATING CLUTCH ROLLER S	1309273	3	
8	SPRING STARTING CLUTCH ROLL	1309274	3	
9	PIN DOWEL 5X6	1309275	1	
10	BOLT SOCKET 6X10	10367	3	
11	OUTER COMP STARTING CLUTCH	1309277	1	
12	GEAR COMP STARTING CLUTCH	1309278	1	
13	BEARING NEEDLE 28X32X17	1309279	1	



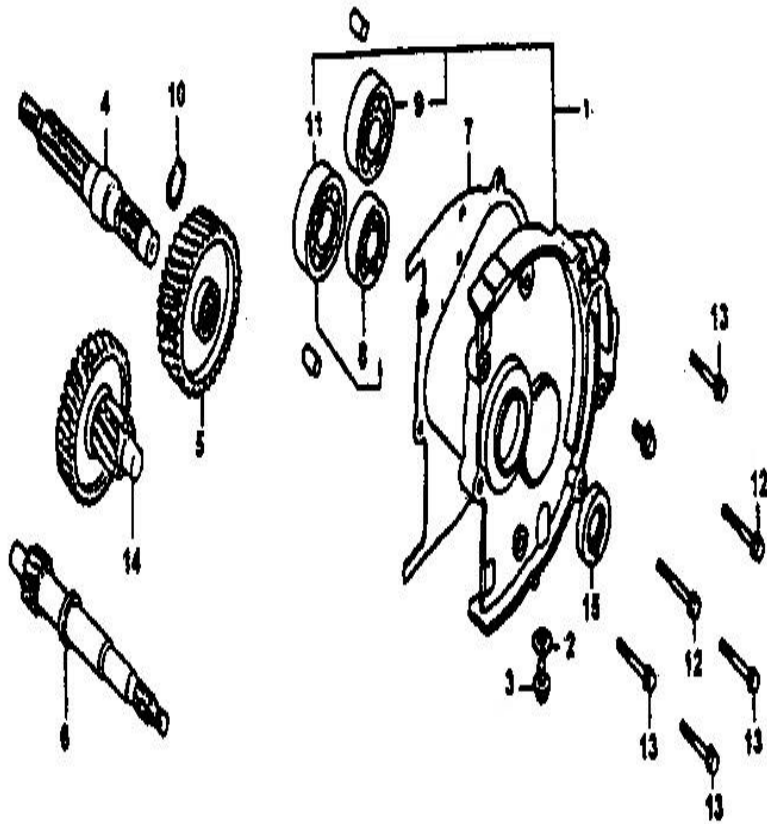
Item	Description	Part Number	Q.ty	Note
1	RIGHT CRANK CASE COVER	2531038	1	
2	GASKET R CRANKCASE COVER	2531532	1	
3	CAP TAPPET ADJUSTING HOLE	2531039	1	
4	SPRING OIL FILTER SCREEN	2531541	1	
5	GAUGE OIL LEVEL	2531040	1	
6	O-RING	1309280	1	
7	BOLT FLANGE 6X110	1309281	2	
8	CLAMPER A.C. GENERATOR COR	2531041	1	
9	BOLT FLANGE 6X100	4080088	1	
10	BOLT FLANGE 6X95	4080089	4	
11	SCREEN OIL FILTER	2531553	1	
12	O-RING 18X3	10122	1	
13	OIL SEAL 19.8X30X5	2531605	1	
14	BOLT FLANGE 6X35	10186	1	
15	BOLT FLANGE 6X32	10329	1	

Item	Description	Part Number	Q.ty	Note
------	-------------	-------------	------	------



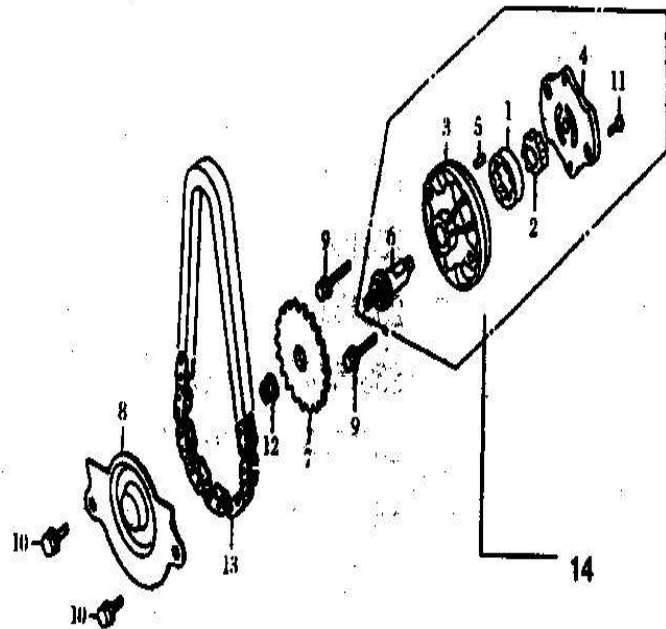
1	BOLT STUD 8X195	4080084	2	
2	BOLT STUD 8X187	4080085	2	
3	PIN DOWEL 8X14	2531044	8	
4	BOLT DRAIN PLUG 12MM	1309282	1	
5	WASHER DRAIN PLUG 12MM	1309283	1	
6	GASKET CRANKCASE	2531533	1	
7	TUBE BREATHER	2531545	1	
8	BUSH 1	1351015	1	
9	O-RING	2531559	1	
10	NUT FLANGE M8	10079	2	
11	BEARING RADIAL BALL 102	10313	1	
12	BEARING RADIAL BALL 301	10314	1	
13	BEARING RADIAL BALL 180104	10316	1	
14	BOLT FLANGE 6X50	10349	2	
15	CRANKCASE ASSY LEFT	1309284A	1	
16	CRANKCASE ASSY RIGHT	1309285	1	
17	BUSH ENGINE HANGER RUBBER	2531554	1	
18	OIL SEAL 19.8X30X5	2531605	1	
19	BUSH RR CUSHION UNDER RUBB	2531555	1	
20	OIL SEAL 27X42X7	2531562	1	
21	COVER	1351016	1	

Item	Description	Part Number	Q.ty	Note
1	COVER MISSION ASSY	2531046	1	



2	WASHER 8MM	4080081	2	
3	BOLT DRAIN PLUG M8	1309286	2	
4	SHAFT FINAL	2531047	1	
5	GEAR FINAL	2531048	1	
6	SHAFT DRIVE	2531049	1	
7	GASKET MISSION COVER	2531534	1	
8	BEARUING RADIAL 202	10310	1	
9	BEARUING RADIAL 203	10317	1	
10	CIR CLIP EXTERNAL 20MM	10193	1	
11	BEARING RADIAL 204	10312	1	
12	BOLT FLANGE 6X35	10186	3	
13	BOLT FLANGE 6X28	4000091	3	
14	SHAFT COMP COUNTER	2531050	1	
15	OIL SEAL 20X32X16	2531563	1	

Item	Description	Part Number	Q.ty	Note
1	ROTOR OIL PUMP OUTER	1309288	1	
1	ROTOR OIL PUMP OUTER	1309289		

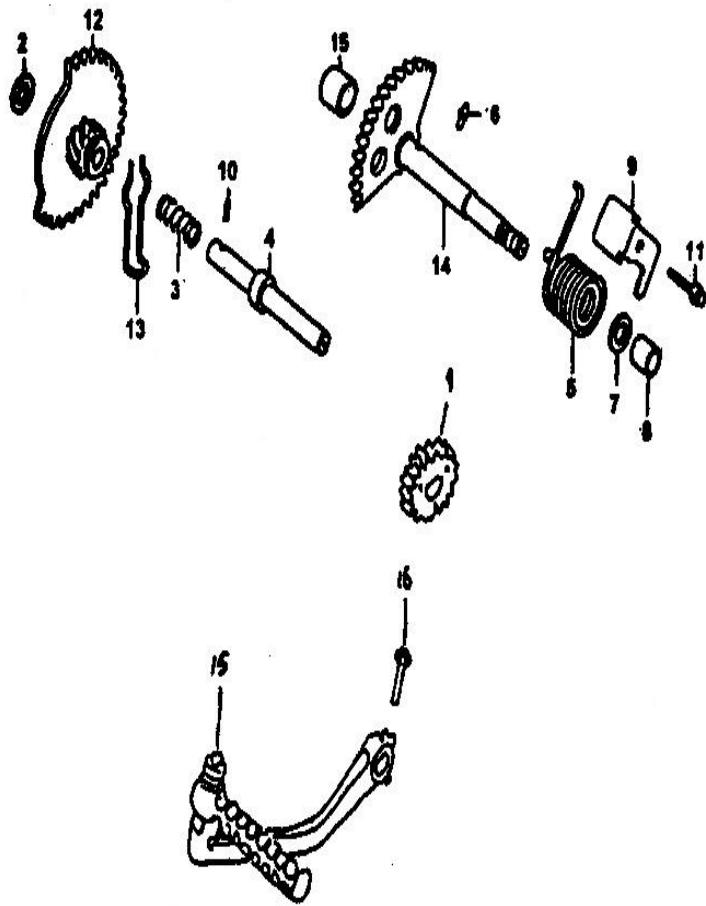


2	ROTOR OIL PUMP INTER	1309290	1	
2	ROTOR OIL PUMP INTER	1309291		
3	BODY OIL PUMP	1309292	1	
3	BODY OIL PUMP	1309293		
4	PLATE OIL PUMP	1309294	1	
5	PIN C DOWEL 4X6.5	1309295	1	
6	SHAFT OIL PUMP	1309296	1	
7	SPROCKET OIL PUMP DRIVEN	2531052	1	
8	SEPARTOR OIL	2531053	1	
9	BOLT FLANGE 6X25	10187	2	
10	BOLT FLANGE 6X12	10140	2	
11	SCREW PAN 3X10	10373	1	
12	NUT FLANGE M6	10103	1	
13	CHAIN OIL PUMP	2531515	1	
14	OIL PUMP COMP	2531051	1	
14	OIL PUMP COMP	1309298	1	

LINHAI MONARCH 125

D-44: KICK STARTER COMP

Item	Description	Part Number	Q.ty	Note
1	GEAR KICK DRIVEN	2531054	1	
2	WASHER	1309299	1	
3	SPRING STARTER IDLE	1309300	1	

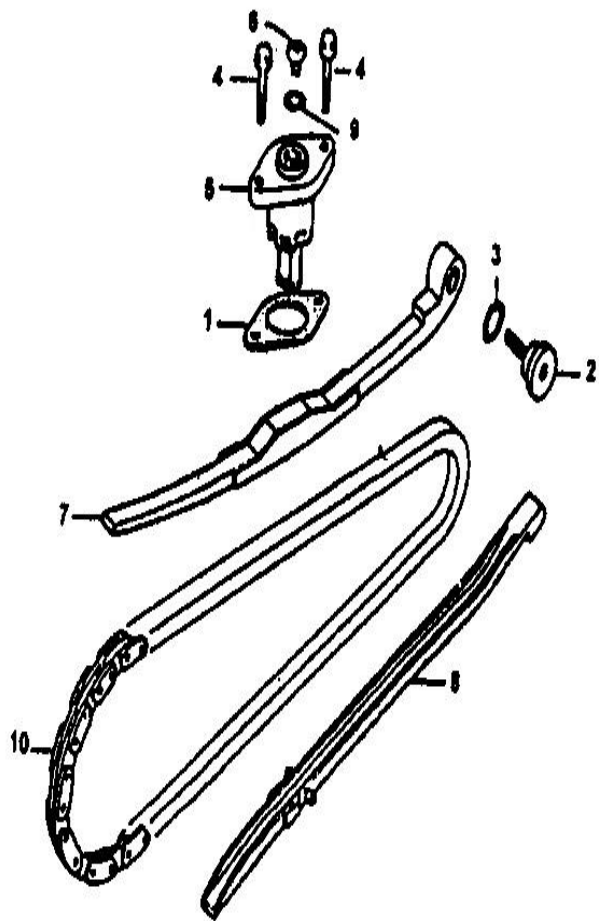


4	SHAFT STARTER IDLE	1309301	1	
5	SPRING KICK STARTER	2531543	1	
6	PIN SPECIAL	1309302	1	
7	WASHER 14MM	1309303	1	
8	BUSH KICK SPRING	1309304	1	
9	PLATE KICK RETURE STOPPER	2531055	1	
10	POLLER 3X8.5	1309305	1	
11	BOLT FLANGE M6X14	10210	1	
12	GEAR COMP STARTER IDLE	2531058	1	
13	SPRING STARTER GEAR FRICTIO	2531542	1	
14	SPINDLE COMP KICK STARTER	2531059	1	
15	KICK STARTER ARM COMP	2531056	1	
16	BOLT FLANGE M6X22	10185	1	

LINHAI MONARCH 125

D-45: CHAIN CAM COMP

Item	Description	Part Number	Q.ty	Note
1	GASKET TENSIONER LIFTER	2531535	1	
2	PIVOT CAM CHAON TENSIONER	4080092	1	
3	O-RING 15.2X1.5	2531560	1	
4	BOLT FLANGE 6X22	10345	2	



5	LIFTER ASSY TENSIONER	2531518	1	
6	SCREW PAN	4080097	1	
7	TENSIONER CAM CHAIN COMP	2531517	1	
8	GUIDE COMP CAM CHAIN	2531519	1	
9	O-RING 10X1.8	10291	1	
10	CHAIN CAM	2531606	1	